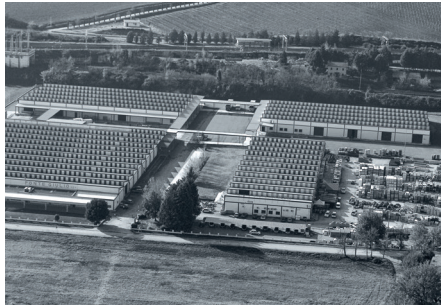




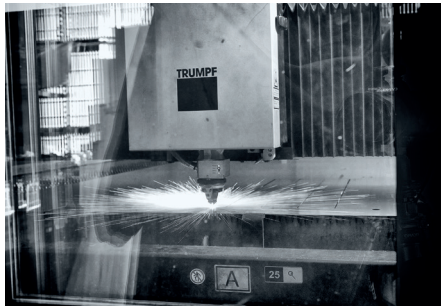
# Inclusive bathrooms design culture



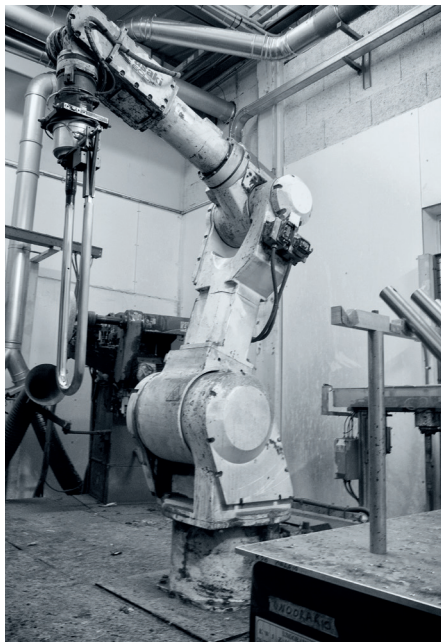
Ponte Giulio is one of Europe's largest manufacturers of safety solutions for bathrooms, with a range of products suitable for hospitals, nursing homes, hotels and other commercial and residential buildings.



Ponte Giulio provides a range of products to satisfy the needs of the bathroom industry. The development of the company's product range over time has led to the creation of functional apparatus with more aesthetic appeal than other accessible bathroom products on the market.



Ponte Giulio is committed to creating inclusive living spaces by designing stylish bathrooms which improve quality of life for all whilst strictly complying with regulations.



## UK Office and Warehouse

Inprint House  
196 Old Shoreham Road Hove, Sussex BN3 7EX  
enquiries@pontegiulio.co.uk  
phone: 01273 735005

# Durable Antibacterial Protection



**Proven, permanent protection against bacteria and fungi**

## **Bacteria**

Escheriachia coli  
Streptococcus  
Methicillin resistant - staphylococcus aureus  
Methicillin resistant  
Staphylococcus epidermidis  
Legionella  
Shigella  
Salmonella  
Klebsiella  
listeria

## **Fungi**

Aspergillus brasiliensis  
Aspergilluys niger

## BioCote® Silver Ion Technology

BioCote® is the leading provider of proven antimicrobial/ antibacterial technology to companies around the globe. BioCote technology integrates antimicrobial protection into any surface or product, reducing microbes by up to 99.99%, making them more hygienic and defending the surface against degradation, odours and staining.

The BioCote® range of antimicrobial additives can be added to any material during the production process including plastics and polymers, coatings and paints, textiles, metals and more. That is why many of the world's biggest brands partner with BioCote®.

We have technologies and unique formulations based on Silver-ions, Zinc, Copper and organic active ingredients. All of our antimicrobial active ingredients have performance and quality in common.

For more information check at [www.biocote.com](http://www.biocote.com)



<p>Grab rails</p>		<p><b>Family range</b> 5  <b>Prestigio range</b> 13  <b>Prestigio+ range</b> 17</p>
<p>Seats and stools</p>		<p>25</p>
<p>Sanitaryware</p>		<p>29</p>
<p>Shower room accessories</p>		<p>35</p>
<p>Doc-M kits</p>		<p><b>Shower area system kit</b> 40  <b>WC area system kit</b> 49</p>
<p>Tecnoservice collection</p>		<p><b>Handles</b> 44  <b>Seats and benches</b> 45  <b>Doc-M</b> 46</p>
<p>Stud-wall fixing solutions</p>		<p>48</p>
<p>General information</p>		<p><b>Alphabetical index</b> 50</p>







## Family Range Features

*This stylish designer range has been designed so it's suitable for all ages to use with safety in mind.*

*The family range has been designed and manufactured in stainless steel with the aim of easy simple assembly, using a range of useful accessories to complement the rectangular shaped rail design which is 20mmx30mm diameter in size. Manufactured from polished stainless steel the rail design lends itself to multi- functional uses, including use as a towel rail and a soap holder, using the clip on soap dish. Other clip on accessories are available and described in the*

### Materials

- Stainless steel AISI 304
- Aluminium
- Acrylic stone
- Brass





## Grab Rails - Family Range

### Modular installation

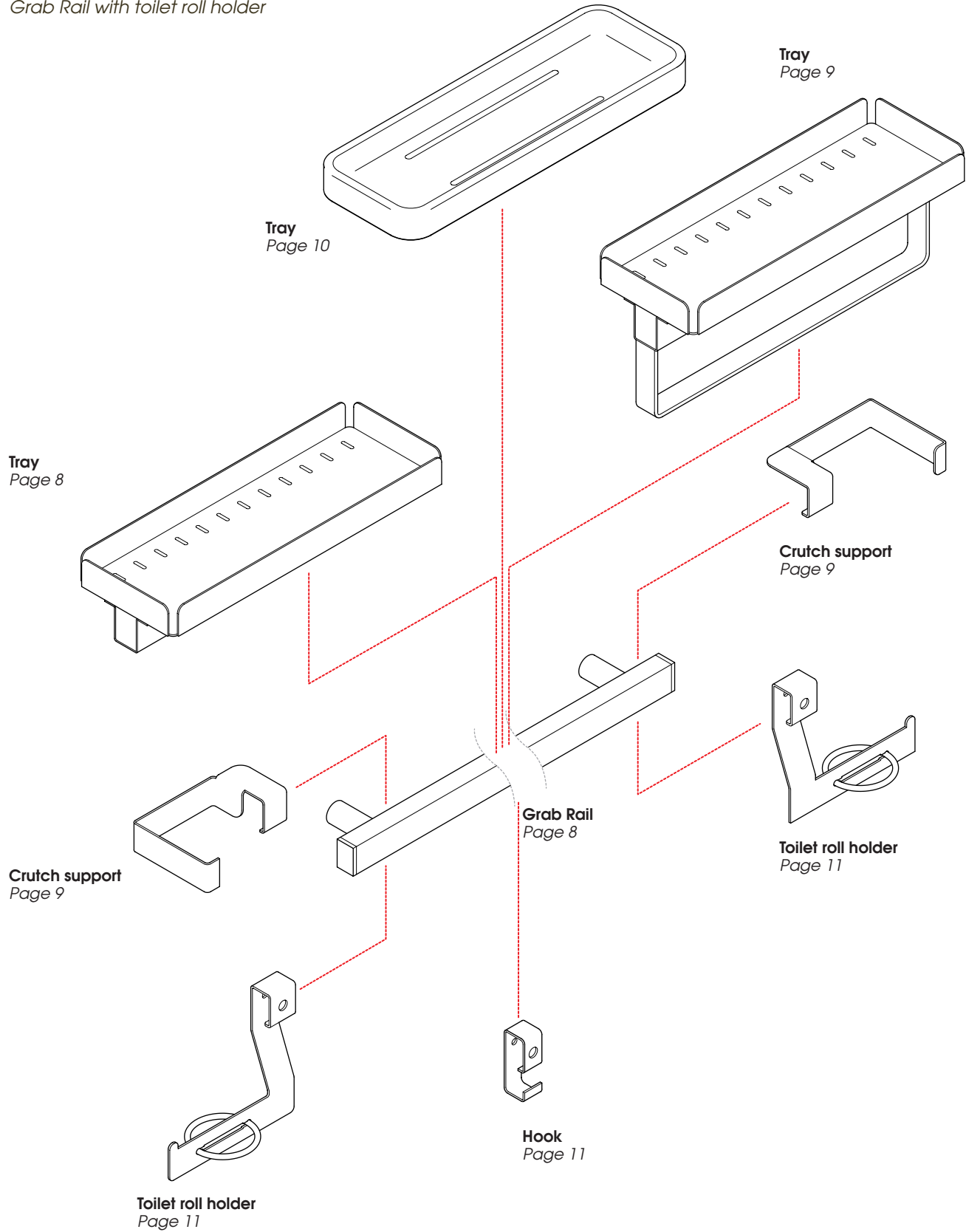
Grab Rail with towel hook

Grab Rail with shelf

Grab Rail with shelf and towel holder

Grab Rail equipped with suitable supports

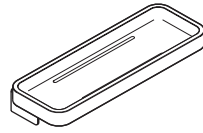
Grab Rail with toilet roll holder



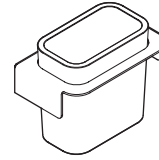
**Accessories**

Shelf in acrylic stone  
Toilet roll holder  
Toilet brush holder

**Basin area**



**Tray**  
Page 10

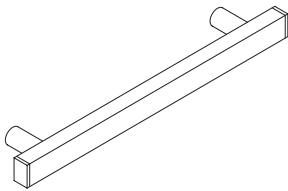


**Box container**  
Page 10

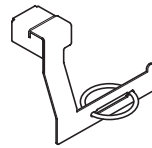


**Hook**  
Page 9

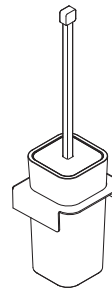
**WC area**



**Grab Rail**  
Page 8

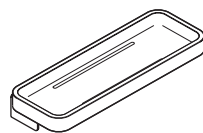


**Toilet Roll Holder**  
Page 11



**Toilet brush holder**  
Page 11

**Shower area**

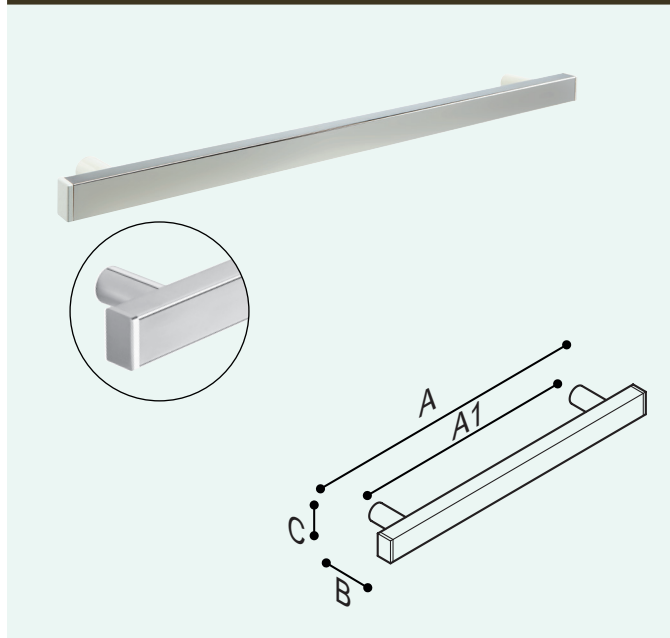


**Tray**  
Page 10



**Hook**  
Page 9

## Grab Rails - Family Range



### Grab bar

These grab rails are manufactured in polished stainless steel with a rectangular design 20 mm x 30 mm., and have a choice of aluminium coloured or polished cylinder fixings end caps to finish them off.

Cylinder fixings and end caps are available in these colors: Warm White "W2", Oxide Grey "D8", Chrome "C1".

Code	Dimensions	
	[AxBxC] mm.	[A1] mm.
<b>G18JAS01xx</b>	300x65x30	214
<b>G18JAS02xx</b>	400x65x30	314
<b>G18JAS04xx</b>	600x65x30	514
<b>G18JAS07xx</b>	900x65x30	814



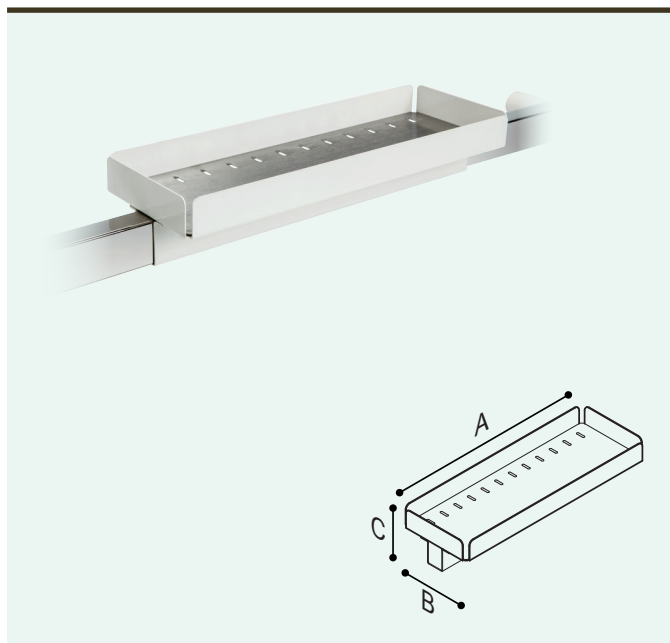
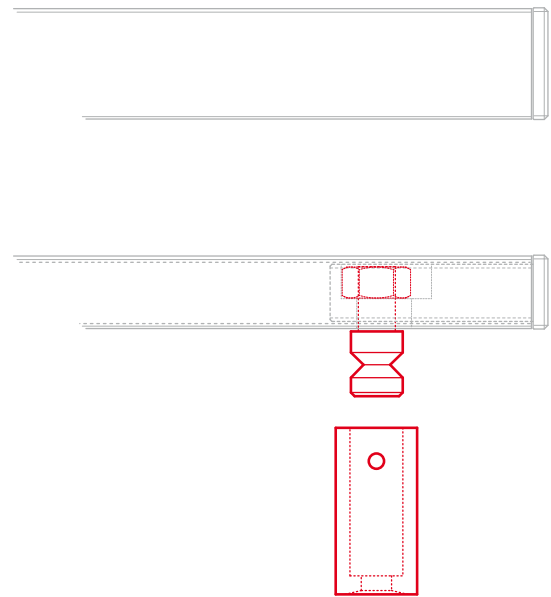
W2 Warm White



C1 Chrome



D8 Oxide Grey



### Multi-functional tray

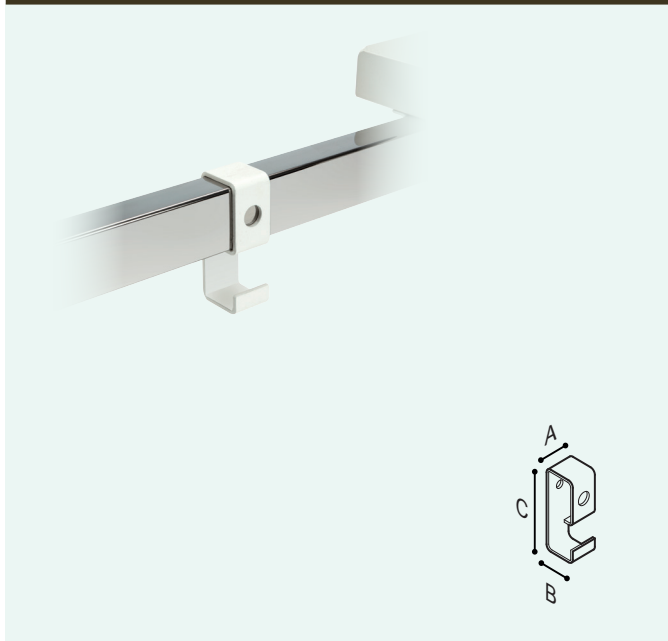
Manufactured from powder coated steel this useful tray clips onto the rail and can be slid along the rail for ease of use.

A very useful product for those who require a seating position to wash.

Available in a choice of colours: Warm White "W2", Oxide Grey "D8".

Code	Dimensions	
	[AxBxC] mm.	
<b>F18ANS02xx</b>	285x100x60	

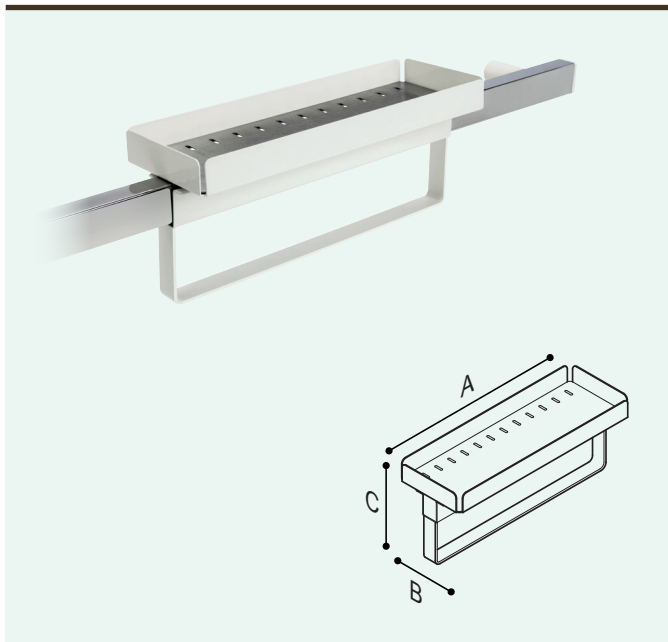




### Towel and robe hook

This hook is multi-functional in use and can be slid on to the rail or screwed independently onto the wall. It's all part of the "Family" line to complement the range. Choice of following colours: Warm White "W2", Oxide Grey "D8".

Code	Dimensions [AxBxC] mm.
<b>F18AKS01xx</b>	20x100x20

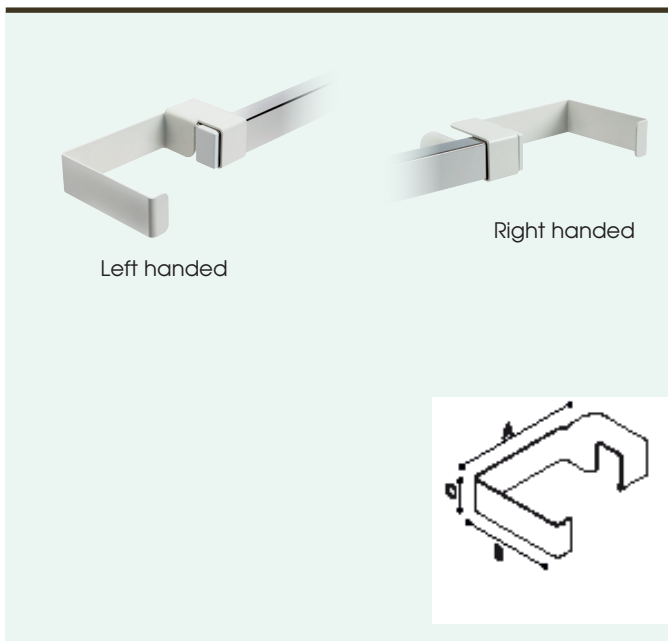


### Multi-functional tray

Manufactured from powder coated steel this useful tray clips onto the rail and can be slid along the rail for ease of use.

A very useful product for those who require a seating position to wash. Available in a choice of colours: Warm White "W2", Oxide Grey "D8".

Code	Dimensions [AxBxC] mm.
<b>F18ANS03xx</b>	285x100x121

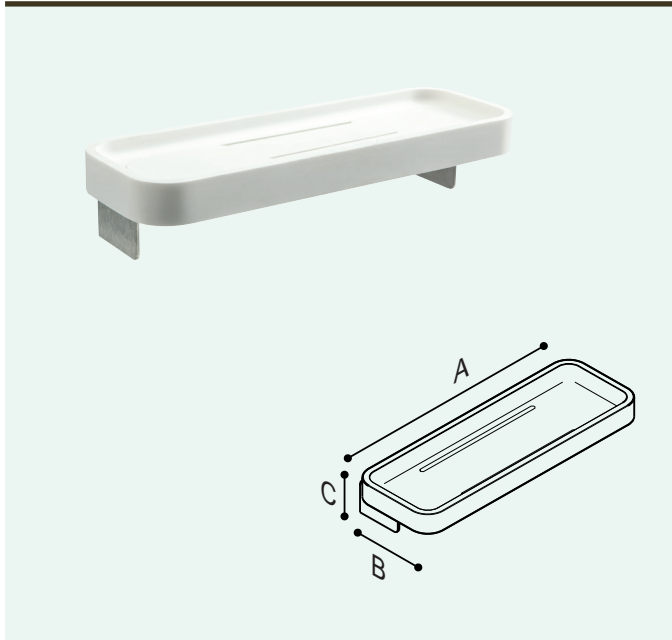


### Crutch support bracket

This crutch support bracket is a very important accessory for people washing from the sitting position who require something to hold a crutch or walking stick. This can be fitted to either end of the rail.

There are a choice of colours as in the Family range: Warm White "W2", Oxide Grey "D8".

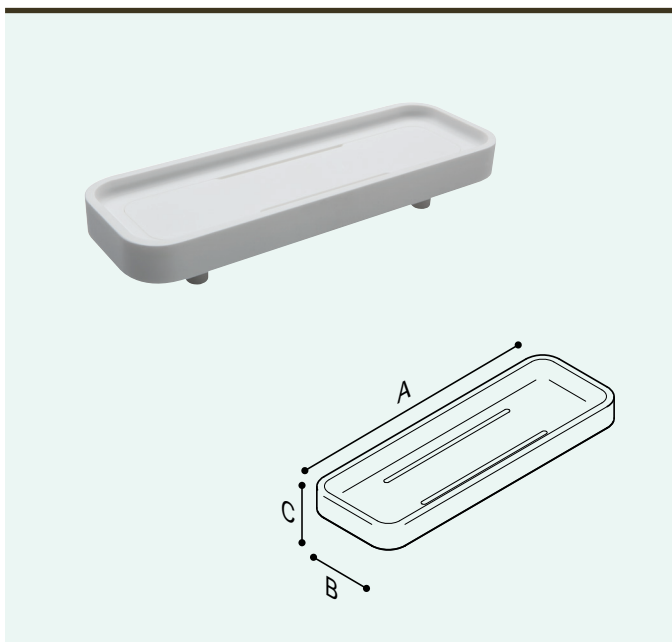
	<i>Left handed</i>	<b>F18AKL02xx</b> Dimensions [AxBxC] 135x95x30 mm
	<i>Right handed</i>	<b>F18AKR02xx</b> Dimensions [AxBxC] 135x95x30 mm



**Tray in acrylic stone**

Acrylic stone shelf designed for wall fixing only, complete with stainless steel, satin finish, bracket.  
Size 285mm x 115mm.

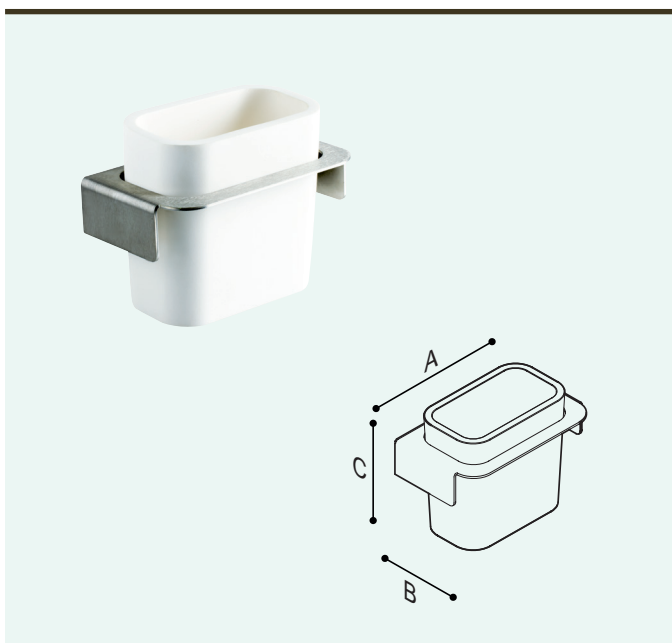
Code	Dimensions [AxBxC] mm.
<b>F18ANM04</b>	285x115x60



**Tray in acrylic stone**

Acrylic stone tray designed to clip onto the rail and can be easily slid along the rail for ease of use.

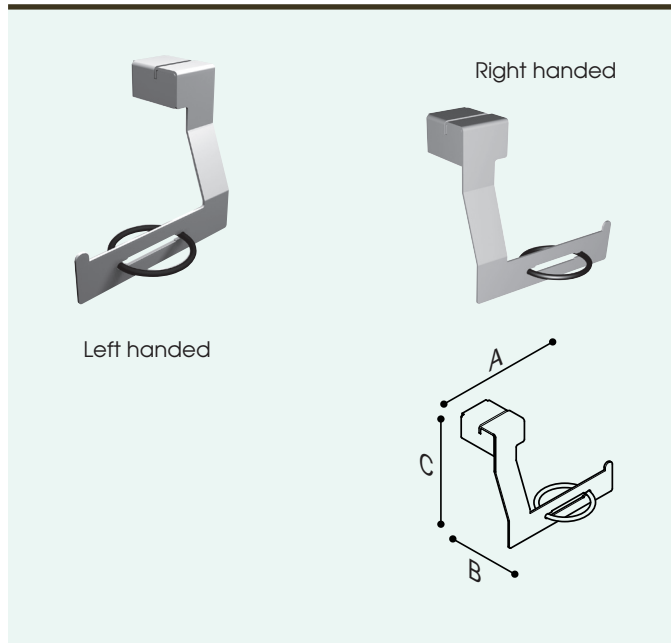
Code	Dimensions [AxBxC] mm.
<b>F18ANM05</b>	285x95x45



**Box container for various items**

Box container for various items in acrylic stone with Stainless steel, satin finish, wall fixing support. Sizes: height 115 mm, depth 90 mm, width 140 mm.

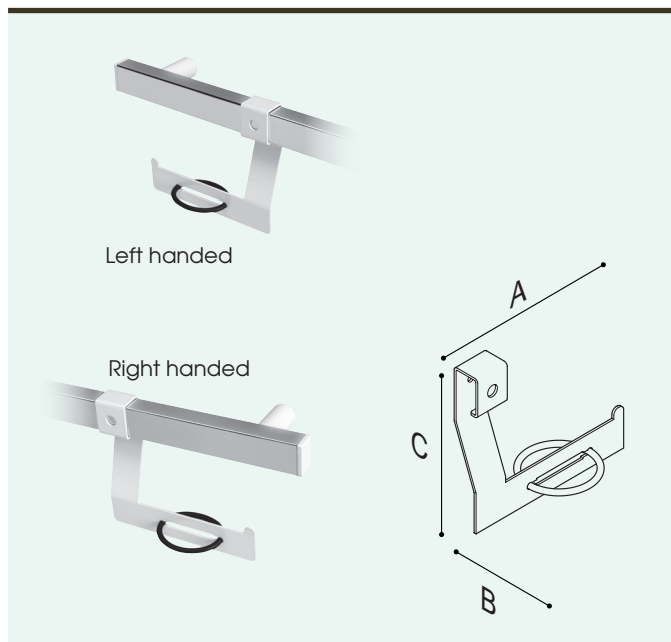
Code	Dimensions [AxBxC] mm.
<b>F18ALS01</b>	140x90x115



**Toilet roll holder for wall fixing**

Toilet roll holder for wall fixing, manufactured from steel powdered coated and suitable for one toilet roll. Choice of following colours: "Warm White "W2", Oxide Grey "D8".

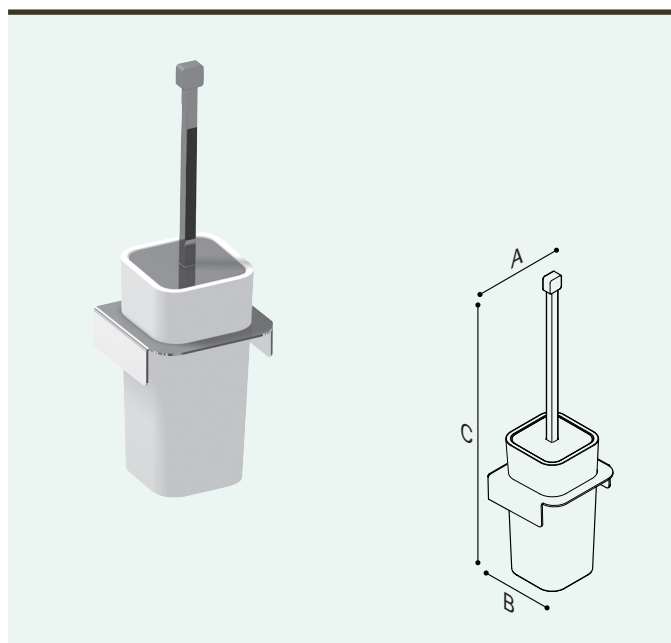
	<i>Left handed</i>	<b>F18AGL02xx</b> Dimensions [AxBxC] 150x95x135 mm
	<i>Right handed</i>	<b>F18AGR02xx</b> Dimensions [AxBxC] 150x95x135 mm



**Toilet roll holder**

Family range toilet roll holder which slides along the grab rail also manufactured in steel and powdered coated and hold one toilet roll. Choice of following colours: Warm White "W2", Oxide Grey "D8".

	<i>Left handed</i>	<b>F18AGL01xx</b> Dimensions [AxBxC] 150x50x135 mm
	<i>Right handed</i>	<b>F18AGR01xx</b> Dimensions [AxBxC] 150x50x135 mm



**Toilet brush holder**

Toilet brush holder with a stainless steel bracket for wall fixing the acrylic stone holder to. The handle is made from brass and chrome plated.

Code	Dimensions [AxBxC] mm.
<b>F18AHS01</b>	115x115x470



Grab Rails - Family Range





## Prestigio Range Features

*The Prestigio Range of designer grab rails have been designed to enhance the shower or bathroom without looking institutional or clinical but give a warm feeling on entering. The two tone chrome and colour is both stylish and practical. The screw holes are concealed with a slot in flange cover.*

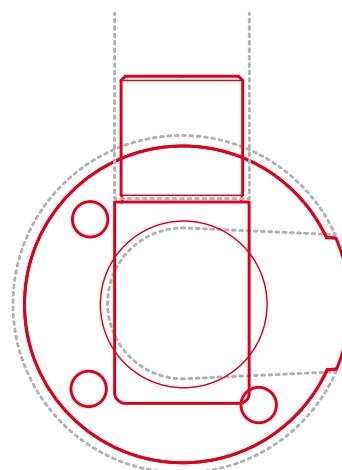
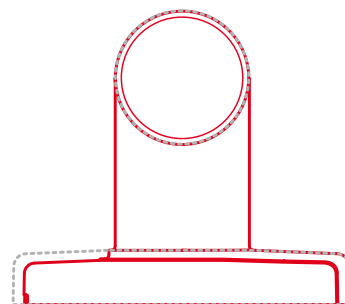
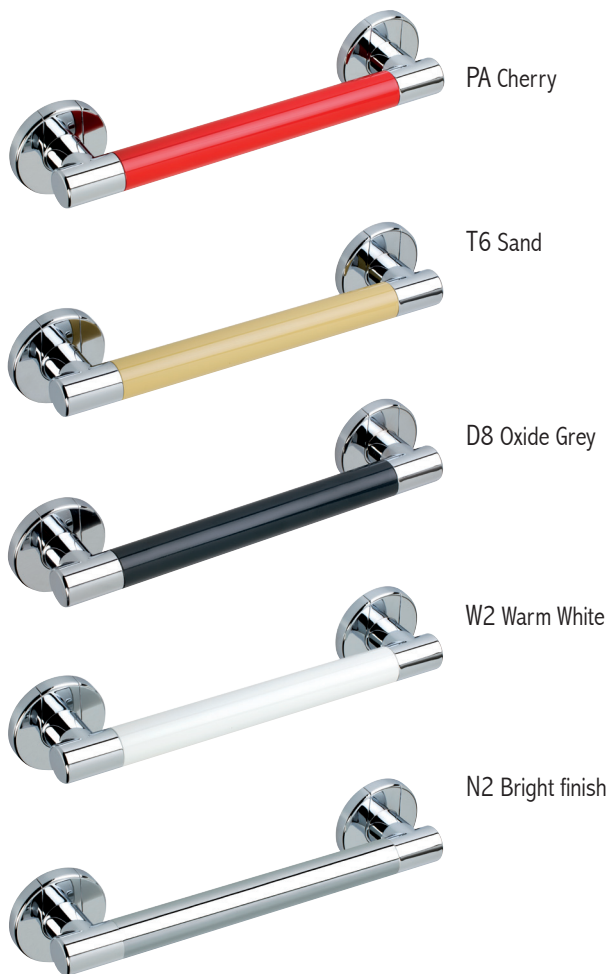
*The Prestigio range have been designed to have a minimal look and are suitable for all applications especially Hotels and Hospitals.*

### Materials

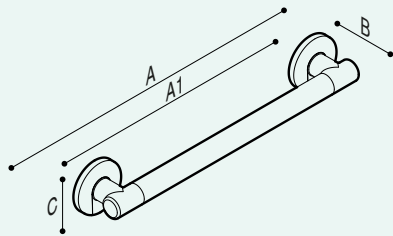
- Stainless steel AISI 304
- Acrylonitrile butadiene styrene (ABS)



Grab Rails - Prestigio Range







### Straight safety grab rail

Straight safety grab rail manufactured from 32mm (AISI 304) stainless steel tube with ABS ends chrome plated and come in a variety of standard lengths.

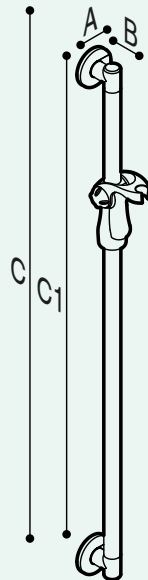
The rails are powdered coated to a selective colour range, or can be polished stainless steel.

All Prestigio rails with screw covers come supplied with stainless steel screws and raw plugs.

Please note that fixing rails to walls you must take in consideration the wall structure.

Available in the standard colours/finishes: Warm White "W2", Sand "T6", Cherry "PA", Oxide Grey "D8" and Bright finish "N2".

Code	Dimensions	
	[AxBxC] mm.	[A1] mm.
<b>G18UAS11xx</b>	385x70x80	305
<b>G18UAS12xx</b>	486x70x80	406
<b>G18UAS13xx</b>	537x70x80	457
<b>G18UAS14xx</b>	690x70x80	610
<b>G18UAS16xx</b>	994x70x80	914



### Vertical grab rail with shower head holder

Prestigio slider grab rail including a single handed operation shower head holder, for those who have limited hand use.

These rails are produced in a 994 mm length and are suitable for a person sitting in the shower area but also suitable for a person standing, and add to assisting them in showering.

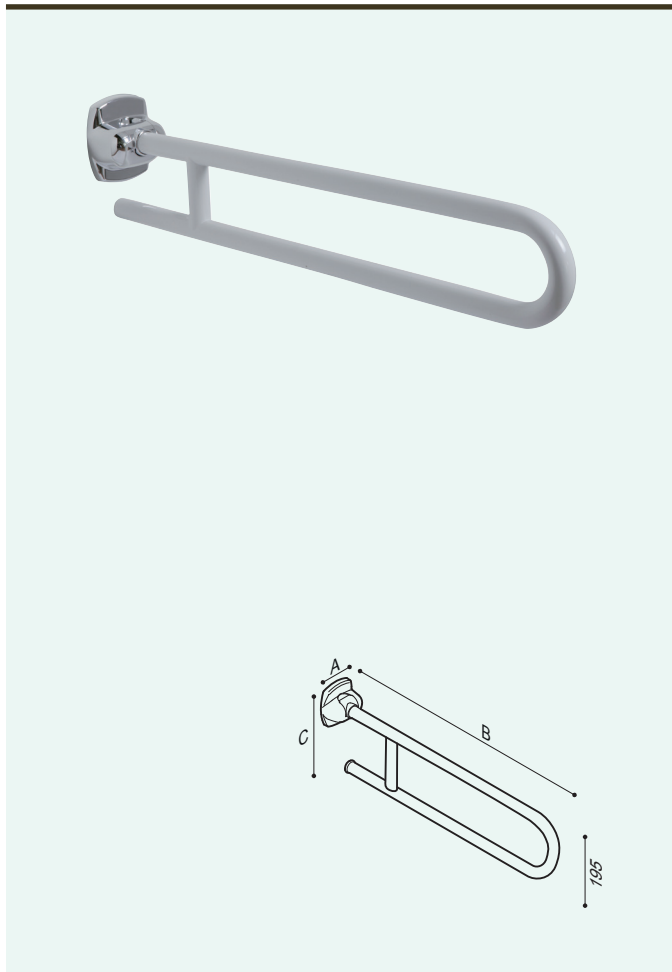
The rail incorporates a stylish shower handset holder, which is designed for use with one hand, by just squeezing the handle to increase the height, or lower the shower head.

A shower head holder may be required at a future date and can be installed fuss free in a couple of minutes without removing the slider rail. There are a variety of colours available as well as the chrome version, the code is: Y87JOSO4XX.

Available in the standard colors/finishes: Warm White "W2", Sand "T6", Cherry "PA", Oxide Grey "D8" and Bright finish "N2".

Code	Dimensions	
	[AxBxC] mm.	[C1] mm.
<b>G18UOS01xx</b>	80x70x994	914

## Grab Rails - Prestigio Range



### Safety folding grab bars

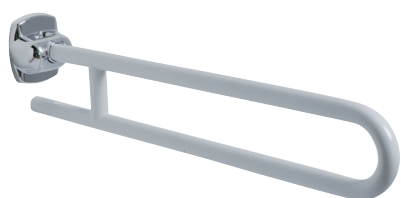
Prestigio folding grab rail with a chrome cover and choice of coloured rails.

To complement the Prestigio range of grab rails we have produced a matching folding rail with a chromed cover, which completes the range. The folding rail has incorporated into the flange a friction system which prevents the rail from crashing down when in a vertical position.

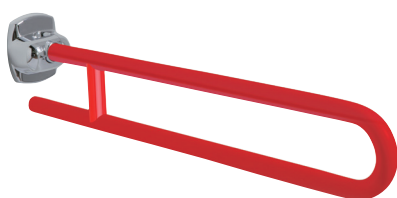
They are manufactured using the same tube as all the Prestigio rails and come in two lengths and with the same selection of colours as in the Prestigio collection.

Available in the standard colors: Warm White "W2", Sand "T6", Cherry "PA", Oxide Grey "D8", Bright Finish "N2".

Code	Dimensions [AxBxC] mm.
G18UCS03	110x650x210
G18UCS04	110x750x210



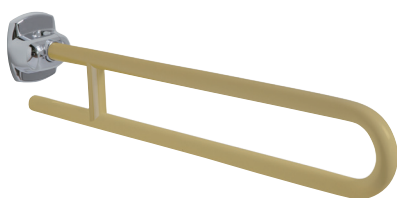
W2 Warm White



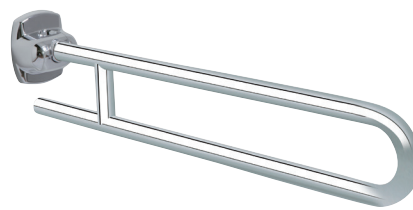
PA Cherry



D8 Oxide Grey



T6 Sand



N2 Bright finish

## Prestigio+ Range Features

*Prestigio+ professional range designed in Italy. This is our latest designer range using a system which is flexible, appealing and easy to install.*

*Prestigio+ has a minimal design which uses a single screw fixing system so no screw holes are exposed.*

*Using a cylinder designed fixing which is manufactured from aluminium and stainless steel the rail is installed into place by a grub screw.*

*The grab rails are manufactured from the same stainless steel tube as used with the Prestigio range and uses the same colours but offers a range of end caps to finish of the installation.*

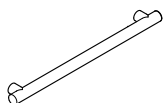
### Materials used

- Stainless steel AISI 304

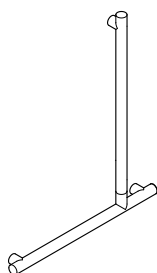
The components are polished stainless steel, the shower holder in chrome plated ABS, the end covers in satin ABS and wall supports in matt satin stainless steel.



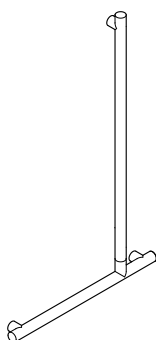
In all areas



**Straight safety grab rail**  
Page 22

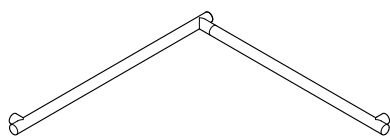


**Safety corner grab rail 90°**  
Page 23



**Safety corner grab rail 90°**  
Page 24

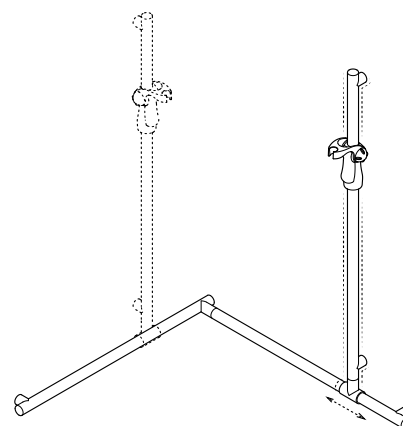
Shower area



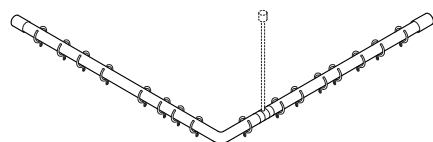
**Safety grab rail for corner**  
Page 25



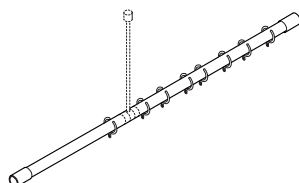
**Vertical grab rail equipped with shower head holder**  
Page 28

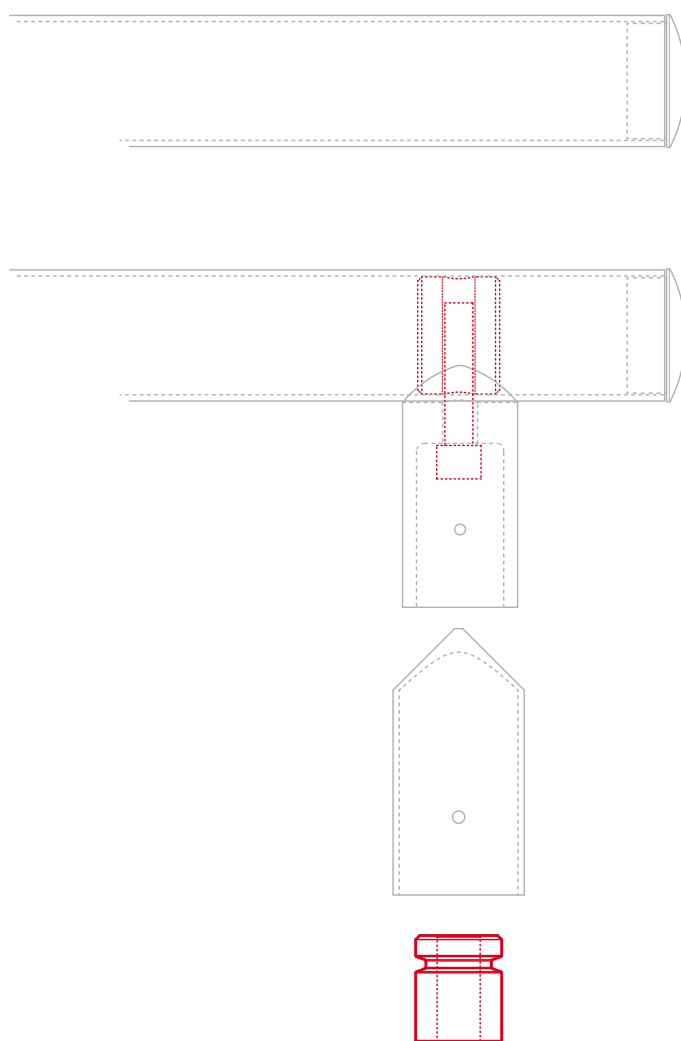


**Safety grab rail for corner with vertical bar**  
Page 26

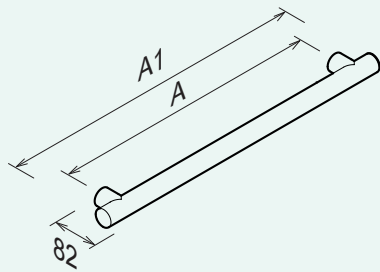


**L-shaped shower curtain rail**  
Page 29-30









### Prestigio+ flangeless straight safety grab rail

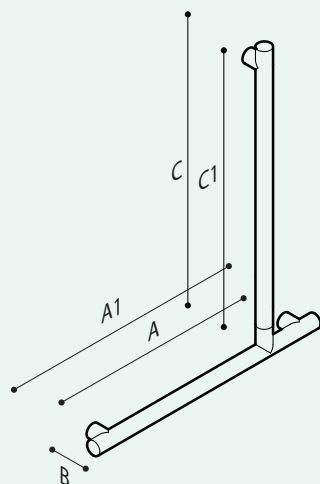
Prestigio+ professional flangeless straight grab rails, come in a range of lengths and colours with satin finished end caps. A choice of polished or matt stainless steel rails are also available in the Prestigio+ collection. The grab rails are available in the standard colors/finishes: Warm White "W2", Sand "T6", Cherry "PA", Oxide Grey "D8" and Bright finish "N2".

The grab rail body is made of  $\varnothing 32 \times 1,5$  mm stainless steel AISI 304 tube. The internal components are made of aluminum.

Screws are not included with this range.

Modular and customized rails on request.

Code	Dimensions	
	[AxBxC] mm.	[A1] mm.
<b>G18UAS32xx</b>	380x82x32	280
<b>G18UAS33xx</b>	480x82x32	380
<b>G18UAS34xx</b>	580x82x32	480
<b>G18UAS35xx</b>	680x82x32	580
<b>G18UAS37xx</b>	900x82x32	800



### Prestigio+ flangeless safety corner grab rail 90°

A dual function grab rail consisting of a stainless steel horizontal rail and an attached fixed vertical rail.

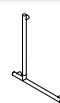
This rail is suitable for the smaller shower area and has been designed with safety in mind, and also comes in the Prestigio+ range of colours or stainless satin, polished rails with satin finished end caps.

These grab rails are manufactured left or right handed to suit all types of installations. The grab rail are available in the standard colors/finishes: Warm White "W2", Sand "T6", Cherry "PA", Oxide Grey "D8" and Bright finish "N2".

The grab rail body is made of  $\varnothing 32 \times 1,5$  mm stainless steel AISI 304 tube. The internal components are made of aluminum.

Screws are not included with this range.

Modular and customized rails on request.



*Left handed*

**G18UBL34xx**  
Dimensions [AxBxC] 400x82x400 mm



*Right handed*

**G18UBR34xx**  
Dimensions [AxBxC] 400x82x400 mm



**Prestigio+ flangeless safety corner grab rail 90°**

A dual function grab rail consisting of a stainless steel horizontal rail and an attached fixed vertical rail.

This rail is suitable for the smaller shower area and has been designed with safety in mind and also comes in the Prestigio+ range of colours or stainless satin, polished rails with satin finished end caps.

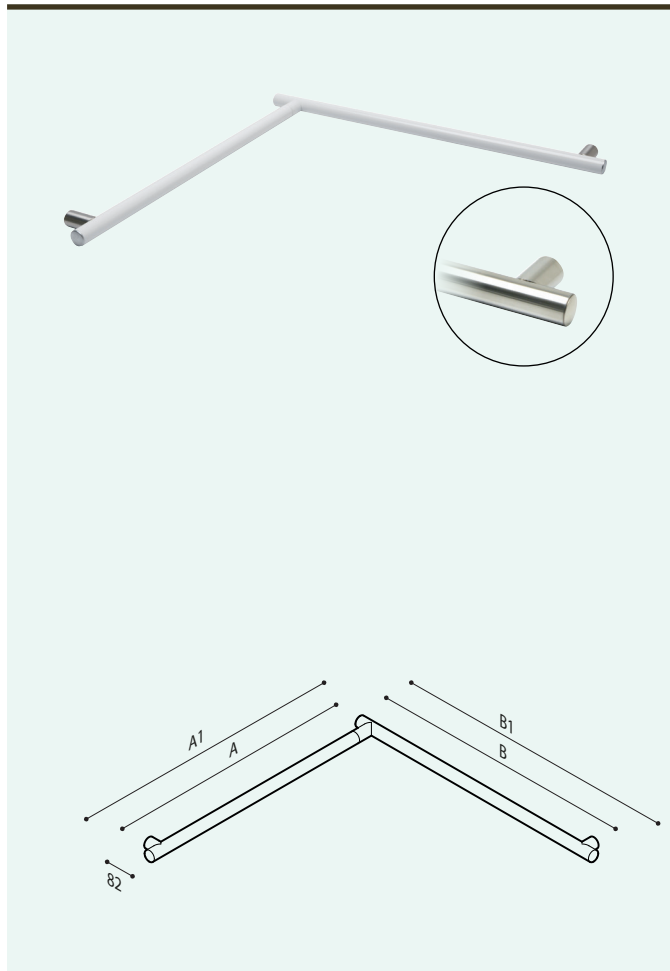
These grab rails are manufactured left or right handed to suit all types of installations. The grab rails are available in the standard colors/finishes: Warm White "W2", Sand "T6", Cherry "PA", Oxide Grey "D8" and Bright finish "N2".

The grab rail body is made of Ø 32x1,5 mm stainless steel AISI 304 tube. The internal components are made of aluminum.

Screws are not included with this range.

Modular and customized rails on request.

	<b>Left handed</b>	<b>G18UBL35xx</b>
	Dimensions [AxBxC]	400x82x600 mm
	<b>Right handed</b>	<b>G18UBR35xx</b>
	Dimensions [AxBxC]	400x82x600 mm



**Prestigio+ flangeless safety grab rail for corner installation**

Prestigio+ corner grab rail is designed to ensure full safety in entering a shower area with the ability to walk around with grab rail assistance.

These rails, suitable for any installation, can also be used as a towel rail.

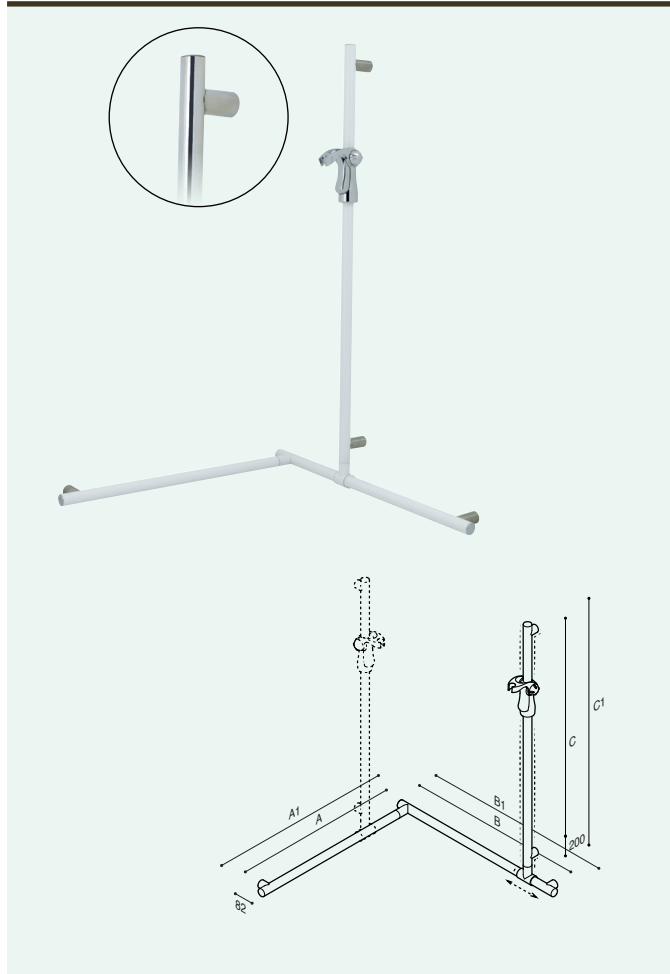
The rails come in two sections and are very easy to assemble and install. The grab rails are available in the standard colors/finishes: Warm White "W2", Sand "T6", Cherry "PA", Oxide Grey "D8" and Bright finish "N2"

The grab rail body is made of Ø 32x1,5 mm stainless steel AISI 304 tube. The internal components are made of aluminum.

Screws are not included with this range.

Modular and customized rails on request.

Code	Dimensions	
	[AxBxC] mm.	[A1xB1] mm.
<b>G18UBS31xx</b>	800x800x32	750x750



**Prestigio+ flangeless safety corner grab rail with adjustable vertical slider rail**

This multi-functional system enables the installer to install the corner horizontal rails first then adjust the vertical rail along the horizontal rail to the required position, then fix it. The advantage with this system is that if an existing shower is in place the adjustable slider rail can be positioned to suit the showering position for the client. The slider rail comes complete with the one handed shower holder.

As with all the Prestigio range you have the choice of colours, polished stainless steel or satin finish with satin end caps. The grab rail are available in the standard colors/finishes: Warm White "W2", Sand "T6", Cherry "PA", Oxide Grey "D8" and Bright finish "N2"

The grab rail body is made of Ø 32x1,5 mm stainless steel AISI 304 tube. The internal components are made of aluminum.

Modular and customized rails on request. Fixing screws are not included.

Code	Dimensions	
	[AxBxC] mm.	[A1xB1xC1] mm.
<b>G18UES30xx</b>	800x800x1200	750x750x1168



**Prestigio+ vertical fixed slider grab rail including the showerhead holder**

The rail is suitable for persons seated or standing. This enables the installer to get the correct position for the client if a shower seat is being installed under the shower. As with all the Prestigio range you have the choice of colours, polished stainless steel or satin finish with satin end caps. The grab rail are available in the standard colors/finishes: Warm White "W2", Sand "T6", Cherry "PA", Oxide Grey "D8" and Polish finish "N2"

The grab rail body is made of Ø 32x1,5 mm stainless steel AISI 304 tube. The internal components are made of aluminum.

Modular and customized rails on request. Fixing screws are not included.

Code	Dimensions	
	[AxBxC] mm.	[A1] mm.
<b>G18UOS31xx</b>	32x82x1250	1150



### Prestigio+ vertical adjustable slider grab rail including the showerhead holder

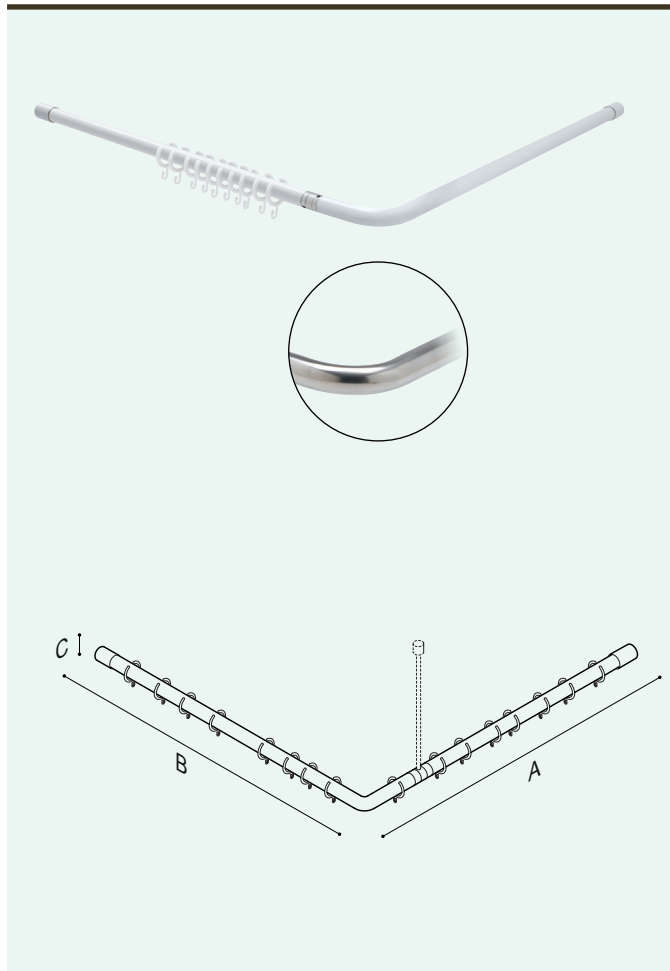
The extended length slider rail is suitable for persons seated or standing, but with the advantage of being adjustable along the length of the horizontal grab rail fitted. This enables the installer to get the correct position for the client if a shower seat is being installed under an existing shower.

As with all the Prestigio range you have the choice of colours, polished stainless steel or satin finish with satin end caps. The grab rails are available in the standard colors/finishes: Warm White "W2", Sand "T6", Cherry "PA", Oxide Grey "D8" and Bright finish "N2"

The grab rail body is made of  $\varnothing 32 \times 1,5$  mm stainless steel AISI 304 tube. The internal components are made of aluminum.

Modular and customized rails on request.  
Fixing screws are not included.

Code	Dimensions	
	[AxBxC] mm.	[A1] mm.
<b>G18UWS31xx</b>	44x86x1200	1030



### L shaped Prestigio+ shower curtain rail

The Prestigio+ curtain rail is a designer curtain rail which complements all the Prestigio+ range as it is manufactured in the same stainless steel material and diameter of the grab rails and comes complete with the curtain hooks.

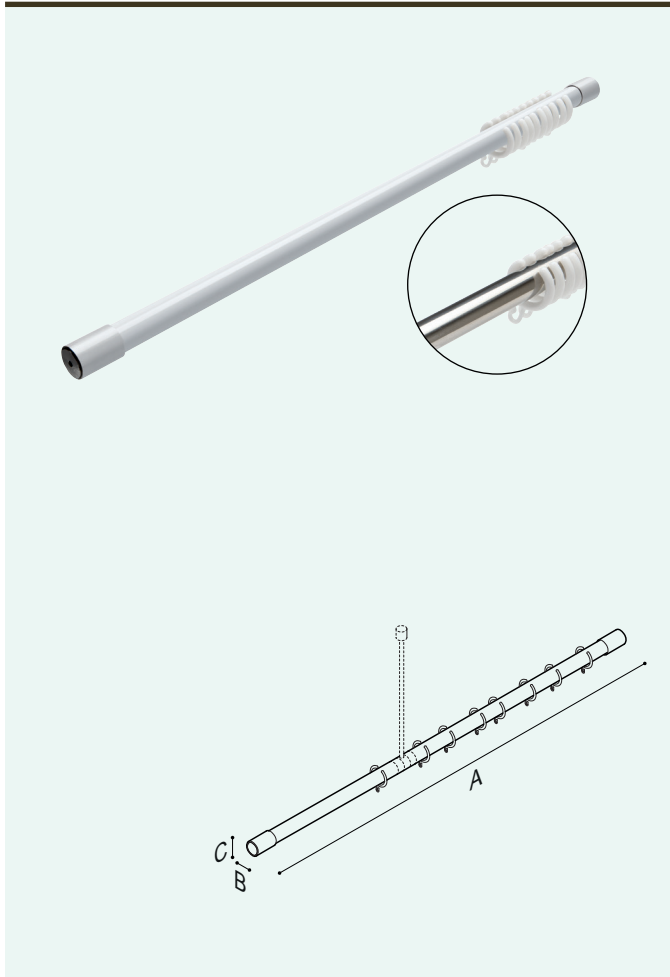
Its chunky look and strength make it stand out against basic curtain rails.

Installing the curtain rail is the same as the Prestigio+ cylinder system without seeing any screws, and adjusting the length of the rail can be achieved by using a pipe cutter or hacksaw.

As with all the Prestigio range you have the choice of colours and being in polished stainless steel or satin finish: Warm White "W2", Sand "T6", Cherry "PA", Oxide Grey "D8" and Bright finish "N2"

A support rod is available for extra support from the ceiling only in oxide satin finish

Code	Dimensions		Rings
	[AxBxC] mm.		
<b>G18JRS12xx</b>	900x900x30		18
<b>G18JRS13xx</b>	900x900x30		22



### Straight Prestigio+ shower curtain rail

The Prestigio+ curtain rail is a designer curtain rail which complements all the Prestigio+ range as it is manufactured in the same stainless steel material and diameter of the grab rails, and comes complete with the curtain hooks.

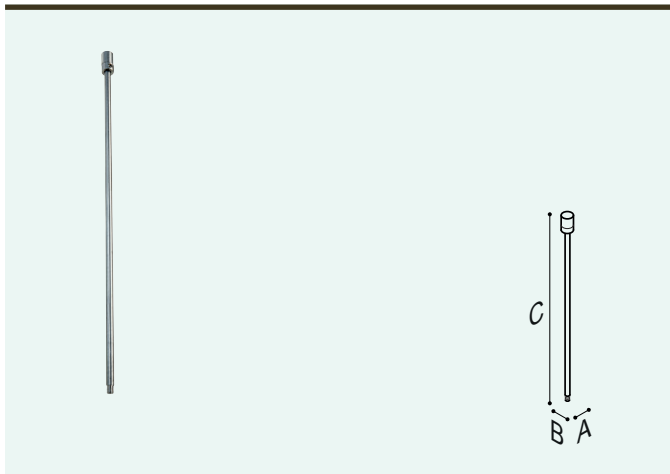
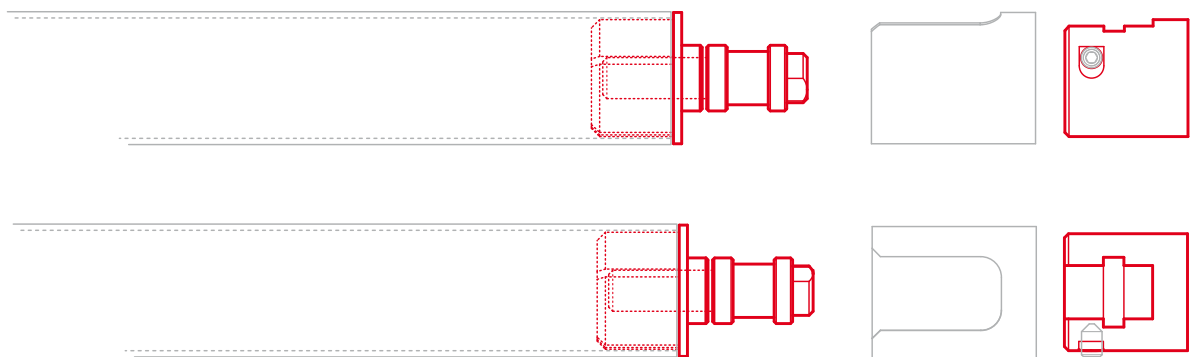
Its chunky look and strength make it stand out against basic curtain rails.

Installing the curtain rail is the same as the Prestigio+ cylinder system without seeing any screws, and adjusting the length of the rail can be achieved by using a pipe cutter or hacksaw.

As with all the Prestigio range you have the choice of colours and being in polished stainless steel or satin finish: Warm White "W2", Sand "T6", Cherry "PA", Oxide Grey "D8" and Bright finish "N2".

A support rod is available for extra support from the ceiling only in oxide satin finish.

Code	Dimensions [A] mm.	Rings
<b>G18JRS02xx</b>	900	9
<b>G18JRS03xx</b>	1000	10
<b>G18JRS05xx</b>	1200	12
<b>G18JRS08xx</b>	1600	16



### Ceiling support rod for shower rail

Ceiling support rod for shower rail made of Ø 8 mm aluminium bar. Concealed wall fixing aluminium cylinder Ø 15 mm. All the components are oxide satin external finish available only. The bar can be shortened when assembling it. Fixing screws are not included.

Code	Dimensions [A] mm.
<b>G18JTS11</b>	500



## Seats and Stools

*When it becomes difficult to stand in a shower for a short period it could become dangerous if not addressed.*

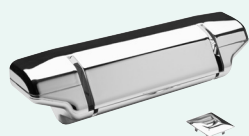
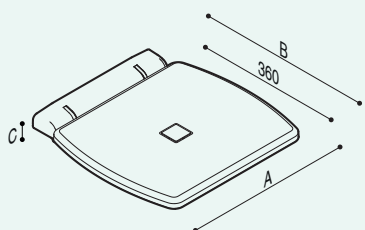
*Ponte Giulio have designed and manufactured a strong and stylish designer range of shower seats and stools to assist in the shower area. The seats are manufactured from ABS with a re-inforced internal structure which adds to the strength and safety of the seat. The seat bracket is made from stainless steel AISI 304 grade and incorporates our standard controlled lowering mechanism which is an important feature to prevent the seat from falling down quickly and causing an injury. This can be adjusted at the time of installation.*

### Materials used in manufacturing

- Stainless steel AISI 304
- Zinc-plated steel
- Vynil
- Acrylonitrile butadiene styrene (ABS)
- Polyamide







### Fold down shower seat

This seat is slightly wider than average seats and has a flatter design as to fold up against the wall and protrude only 70mm.

A small water outlet hole is in the centre of the seat which prevents water filling the seat area.

The concealed fixing of the seat is an advantage over other makes as no screws are visible.

The seat is available in the following colors: White "W1", Grey Stone "D2", Dark Grey "D4", and Ivory "I1".

No fixing screws are supplied with the seats.

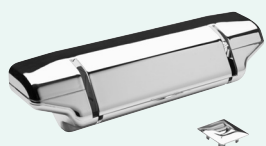
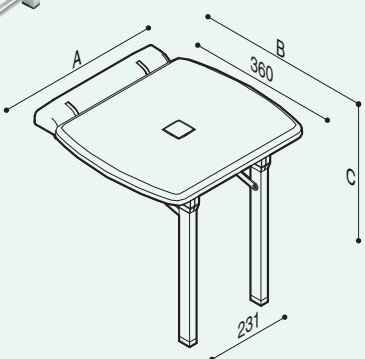
Code	Dimensions [AxBxC] mm.
------	---------------------------

<b>G27JDS43xx</b>	415x425x105
-------------------	-------------

*Chromed plated cover and seat hole cap*

Code

**S87SBD02C1**



### Fold down shower seat with extra support folding legs

This seat has the same specifications as the folding seat but with fold away legs to add to the support of the seat. Leg colour is white.

There may be a case that the wall structure is not strong enough to support the seat so using a seat with legs will assist the installation and provide extra strength.

The seat can only be lowered to the horizontal position by using 2 hands, this is a safety feature developed by Ponte Giulio to prevent the seat legs coming down un-expectedly.

The seat is available in the following colors: White "W1", Grey Stone "D2", Dark Grey "D4", and Ivory "I1".

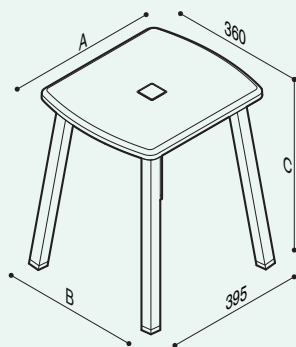
No fixing screws are supplied with the seats

Code	Dimensions [AxBxC] mm.
------	---------------------------

<b>G27JDS44xx</b>	415x425x500
-------------------	-------------

Code

**S87SBD02C1**



### Portable stylish shower stool

There may be situations when a shower seat is necessary and a portable one is the ideal solution.

It may be used in the shower but also used as a seat by the basin for those who cannot stand.

The seat is manufactured from ABS and the legs are made from aluminium.

The seat is available in the following colors:

White "W1", Grey Stone "D2", Dark Grey "D4", and Ivory "I1" with legs are made of natural aluminium with black rubber feet to prevent sliding.

Code

Dimensions

[AxBxC] mm.

**G27JDS30xx**

415x395x500





## Sanitaryware

*Ponte Giulio have focused on inclusive designed products which not only look stylish in any modern bathroom but are designed for everyone to use. By designing a range of products that "Future proof" your bathroom, and will enable all the family to enjoy using it, without having the institutional or clinical feel.*

*We have focused on two main product lines, the shower tray and wash basins.*

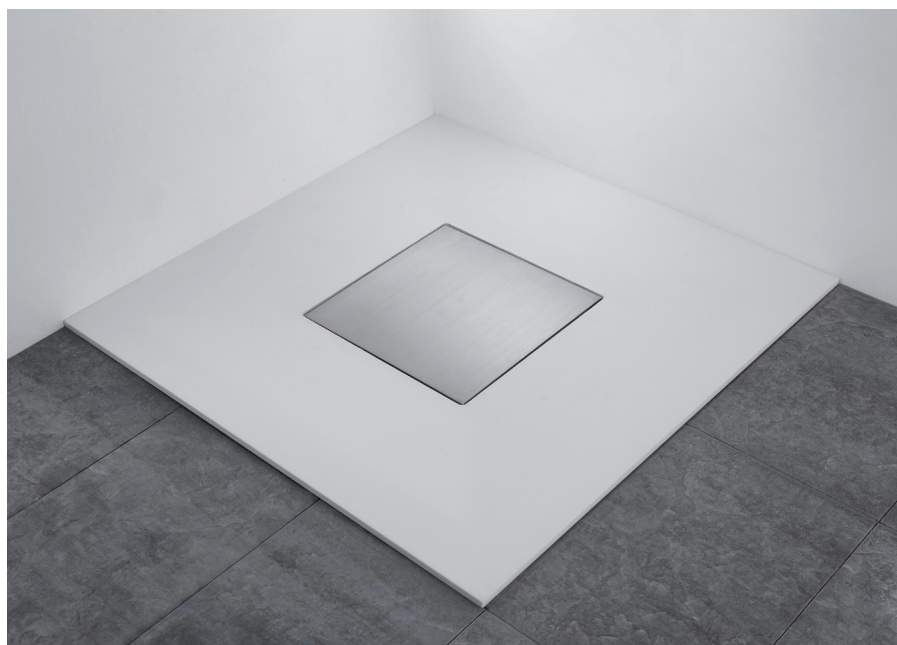
*Both products are manufactured from Acrylic stone, which is a high quality material heated and vacuumed formed to the precise shape.*

*It's very strong when cooled down and doesn't require any added support, it looks very stylish.*

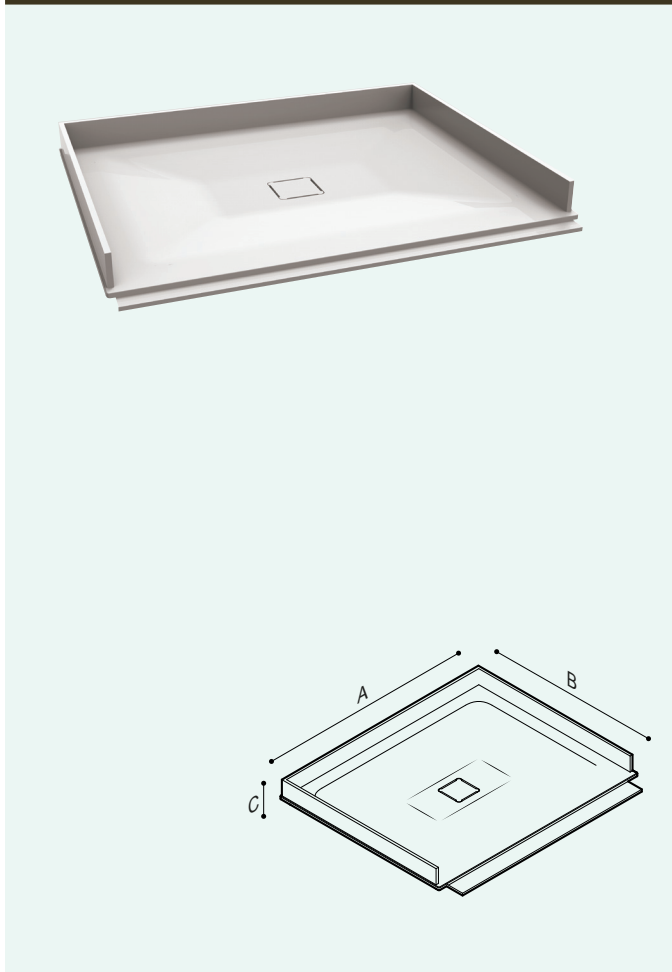
*Advantages of Acrylic stone is that its pore-free, smooth, joint less surface, hygienic, stain*

### Materials:

- Acrylic stone







### Level Access bath replacement shower Tray

This Unique bath replacement shower tray has been designed not only to look good with gentle falls within the tray but to incorporate features that help prevent leaks.

99% of wet rooms which are installed onto a timber floor will have the potential to leak from the edge or top of the shower tray. The slightest movement in any shower tray will eventually lead to water passing through the gap. Tanking kits are usually more expensive than the shower trays installed.

Our bath replacement tray which is self-supporting and doesn't require any wooden supports underneath it has incorporated all around its three sides a tiling lip which not only prevents water seepage but is used to secure the tray to the wall and joists and prevents movement. When tiling the walls the tiles are stuck down to the rim of the tray and water cannot leak through the bottom edge. The front edge lip is the same thickness as the floor boards so the tile is stuck over the joint and set along the edge of the shower tray to produce a neat finish. No need to tile the shower area which is time consuming so saves time and money.

The tray then provides completely level access and is suitable for wheelchair users as well as all the family.

A central waste is concealed with an acrylic stone cover which finishes off the stylish design of the tray.

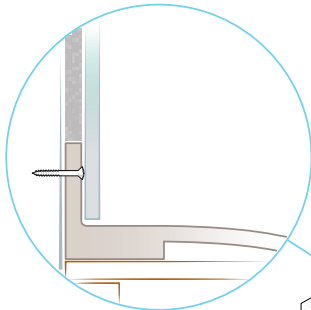
The design of the waste enables it to be used also with any shower waste pump if needed when gravity flow is not an option.

There are three sizes of tray in this catalogue but we can customize or manufacture bespoke trays to order as well.

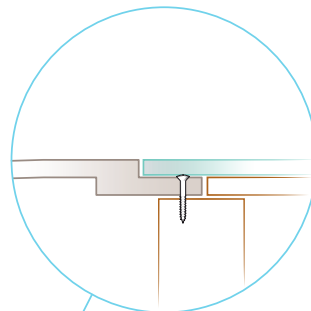
Code	Dimensions [AxBxC] mm.
<b>B46CPM75</b>	1700x700x92
<b>B46CPM76</b>	1700x800x92
<b>B46CPM77</b>	1700x900x92

The trays are suitable for Wetrooms and are designed to be flush with the floor tiling.

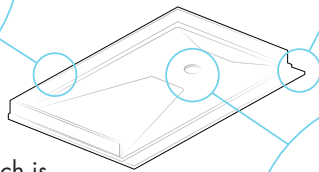
They are self supporting on joists and do not need supporting timber.



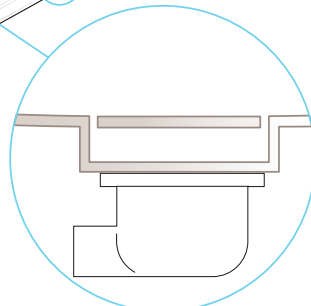
Trays have a built-in upstand which is used to screw the sides to the wall and also tile down for water leaking prevention.



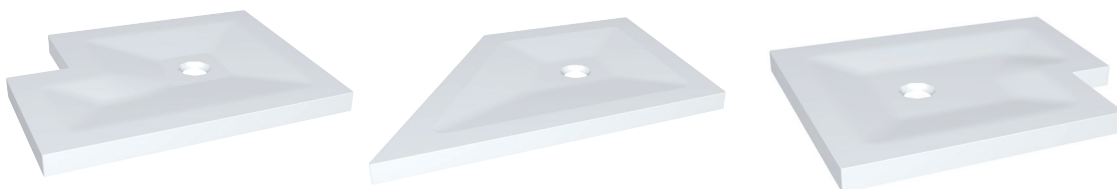
The outer edge of the trays have a lip allowing perfect adherence to floor tiles for water leaking prevention at the front edge of the tray. This lip is also used to screw in the tray to the joists.



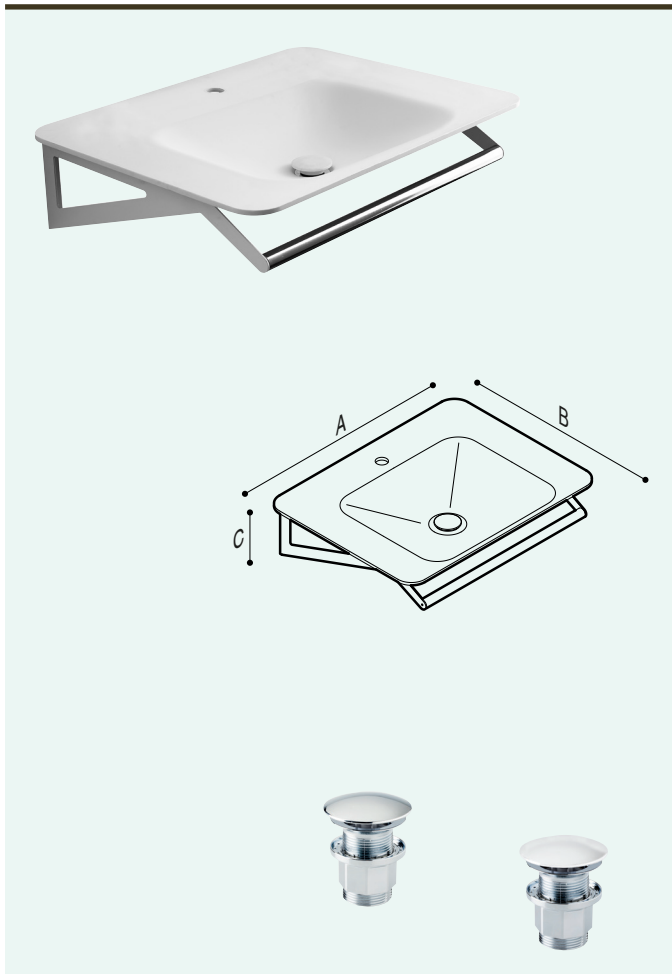
The shower waste is concealed inside the tray with a matching cover which is removable for cleaning.



Suitable for use with shower waste pumps



Shower trays are made from solid surfaces, material that offer a wide range of design choices and aesthetic solutions.



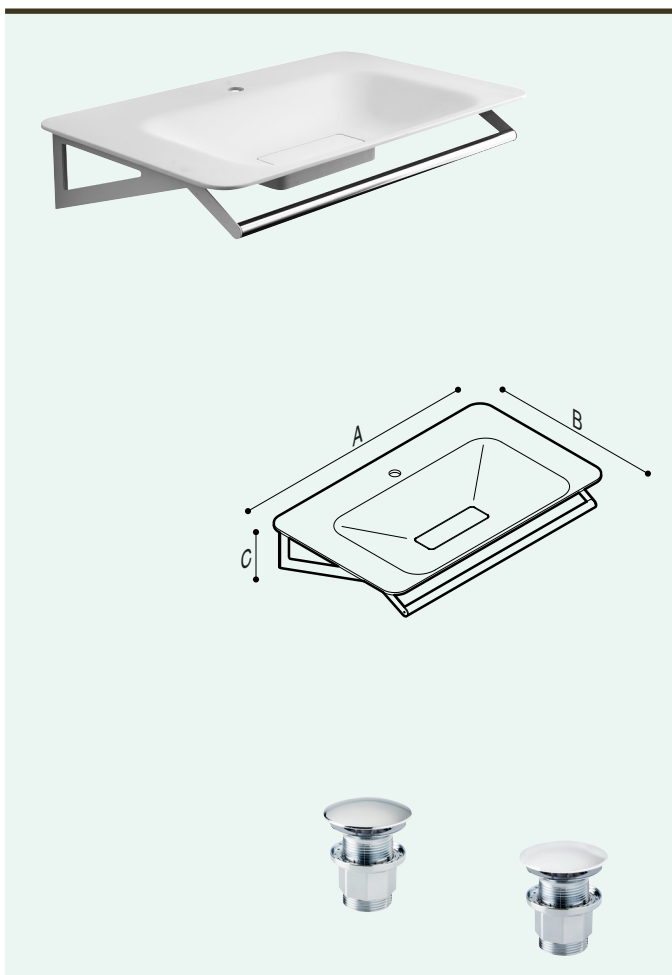
### Ergonomic designed wash basin

A beautiful designed and shaped basin which complements any modern bathroom. This basin is manufactured from acrylic stone and incorporates a towel rail which can be used as a grab rail to enable wheelchair users to move themselves nearer to the basin. The edges of the basin are of a flat design which enables sitting or wheelchair users to support their elbows or arms. Ideal for the smaller bathroom being only 700mm wide and 540mm depth. The bracket which supports the basin is manufactured in steel and powdered coated for extra protection and the towel rail is made from stainless steel. This basin does not have an overflow and the waste is exposed.

Code	Dimensions [AxBxC] mm.
<b>B46CMM16</b>	700x540x189

*Wash basin waste without*

Code	
<b>H52HAS14</b>	Chromed cap
<b>H52HAM16</b>	White solid surface cap



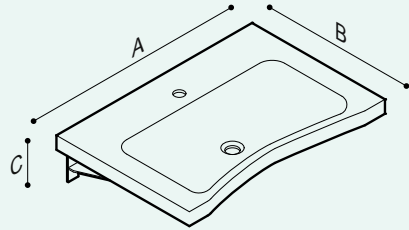
### Ergonomic designed wash basin

A beautiful designed and shaped basin which complements any modern bathroom. This basin is manufactured from acrylic stone and incorporates a towel rail which can be used as a grab rail to enable a wheelchair user to move themselves nearer to the basin. The edges of the basin are of a flat design which enables sitting or wheelchair users to support their elbows or arms. Slightly larger basin but incorporating a concealed waste using a flat acrylic stone top. The bracket which supports the basin is manufactured in steel and powdered coated for extra protection and the towel rail is made from stainless steel. This basin does not have an overflow and the waste is exposed.

Code	Dimensions [AxBxC] mm.
<b>B46CMM17</b>	900x540x189
<b>B46CMM18</b>	1200x540x189

*Wash basin waste without overflow*

Code	
<b>H52HAS14</b>	Chromed cap
<b>H52HAM16</b>	White solid surface cap



### Designer Basin with integral hand pull

Manufactured from acrylic stone with a slightly deep basin bowl and incorporating a slight curve at the front this basin is multi-functional and suitable for all the family. The basin has a small lip all around the bottom edge which assists wheelchair users to pull themselves nearer the basin

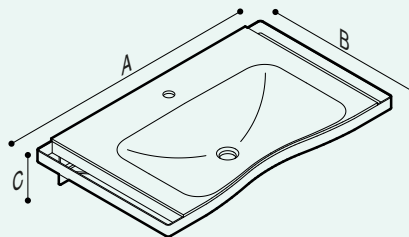
Supported by a strong steel bracket and powdered coated for extra protection.

There is no overflow with this basin but can be added if required.

Code	Dimensions [AxBxC] mm.
<b>B46CNM06</b>	780x530x181

*Wash basin waste without overflow*

Code	
<b>H52HAS14</b>	Chromed cap
<b>H52HAM16</b>	White solid surface cap



### Designer Basin with integral hand pull

Manufactured from acrylic stone with a slightly deep basin bowl and incorporating a slight curve at the front this basin is multi-functional and suitable for all the family. Another stylish version of the basin which is slightly larger but has a stainless steel surround incorporating a towel rail.

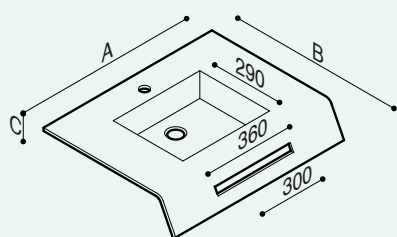
The stainless steel surround can also be powdered coated in several colours or kept as polished stainless steel, whichever you choose to complement the bathroom design. Again the surround is also used to assist a wheelchair user to pull nearer the basin

Code	Dimensions [AxBxC] mm.	
<b>B46CNM05C1</b>	925x550x209	stainless steel
<b>B46CNM05W2</b>	925x550x209	steel coated
<b>B46CNM05D8</b>	925x550x209	steel coated

*Wash basin waste without overflow*

Code	
<b>H52HAS14</b>	Chromed cap
<b>H52HAM16</b>	White solid surface cap





## Wash basin

Cast thermoformed ergonomic wash basin in acrylic stone. Basin wall bracket is made in steel and white powdered coated. The acrylic stone is a high quality material having a pore-free, smooth and jointless surface; hygienic and easy to clean, easy maintenance and stain resistant, resistance to usual detergents and to bacterias and viruses.

Code	Dimensions [AxBxC] mm.
<b>B46CMM20</b>	700x560x110

*Wash basin waste without overflow*

Code	
<b>H52HAS14</b>	Chromed cap
<b>H52HAM16</b>	White solid surface cap







## Shower room accessories

### Features

*To finish off the bath or shower room we have designed a range of complementary accessories which are both stylish and practical but not institutional. These products are suitable for private or professional use and first and foremost promote safety in the bathroom and shower area. We only use the finest materials in bathroom and shower environments.*



### Materials

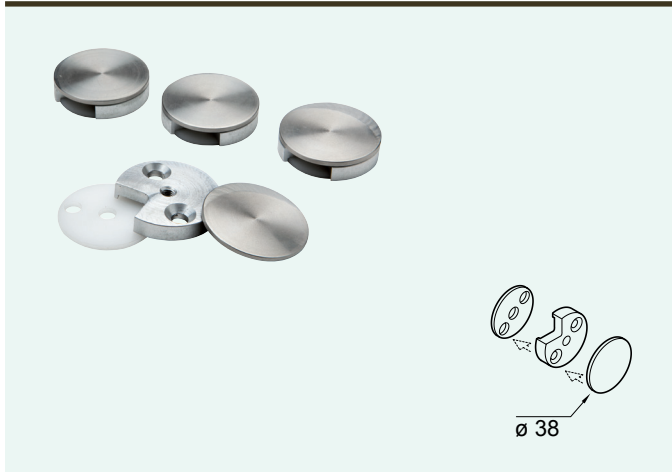
*Considering the variety of products the most common are:*

- Stainless steel AISI 304
- Polyamide
- Aluminium
- Glass
- Polymethylmethacrylate (PMMA)
- Polyoxymethylene (POM)

For specific reference of material involved see each single item.



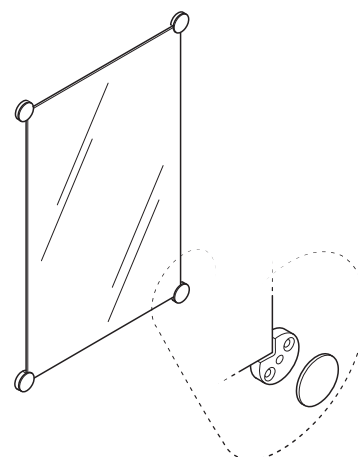




### Mirror wall fixing kit

The mirror fixing kit comprises of 4 stainless steel corner fixings either in satin or polished stainless steel (Satin finish "N1", Bright finish "N2"). They are designed to hold mirrors up to 6mm in thickness and come complete with stainless steel screw and screw covers which are also manufactured in stainless steel.

Code	Dimensions [AxBxC] mm.
F41JKS01	38x10x38



*Mirror is not included*



### Designer and stylish bathroom mirror

The mirror has been designed to look good in any bathroom environment and can have an over the top lamp if required. Looking at the mirror it would grace any bathroom but has a unique feature which adjusts the mirror to face downwards so a seated or wheelchair user can view themselves. Just by pulling the small lever on the side the mirror can be used by everyone. The mirror is made from 5mm safety glass, and the lever is also made from stainless steel and can be used either from the left or right side of the mirror.

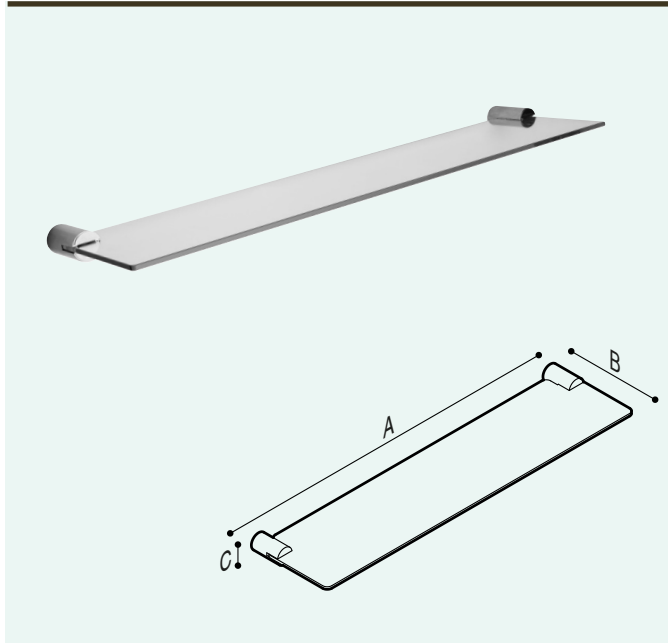
Code	Dimensions [AxBxC] mm.
F47JPS02	557x255x700

### Light

The lamp is a LED lamp with a plexiglass housing 10 Watt - 600 Lumen. Power supply 12 V Dc.

Code
Y91ASS02





### Glass shelf

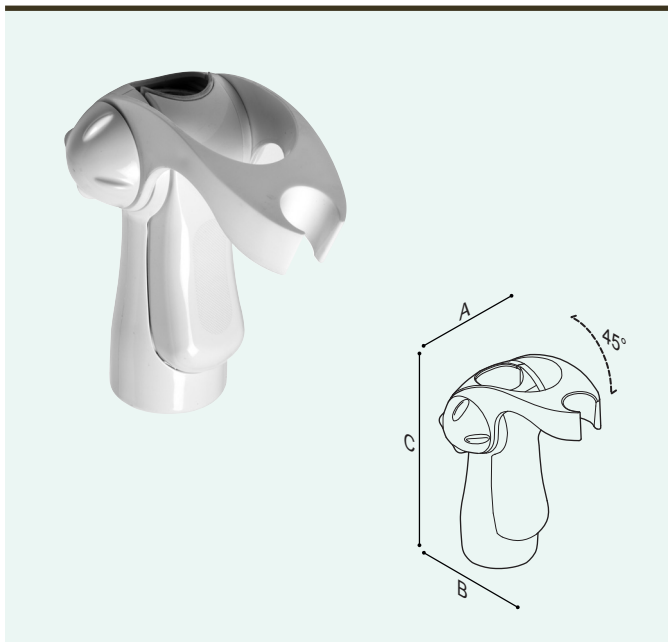
A stylish designed glass shelf to fit over a fixed wall mirror.

The glass is 6mm toughened, and is fixed to the wall using our cylinder fixing system so no screws are displayed.

The cylinders are made in bright or satin finished stainless steel (Satin finish "N1", Bright finish "N2").

Dimensions 720mm wide, 162mm depth, 10mm clearance from wall

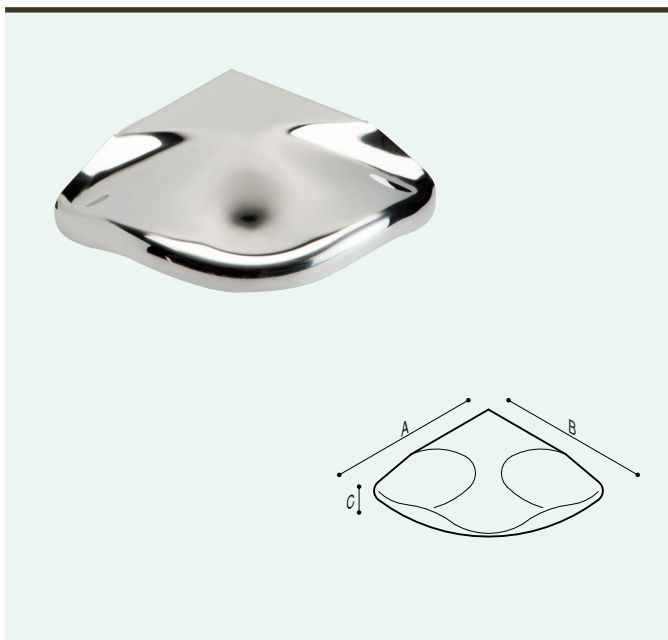
Code	Dimensions [AxBxC] mm.
<b>F41ANS05</b>	680x169x32



### Ergonomic hand shower holder

The ergonomic shower head holder, adjustable using only one hand, is expandable and fit for shower bar and handrails, easy upper and lower stepless adjustment. Available colours as per colour card.

Code	Dimensions [AxBxC] mm.
<b>Y87JOS04xx</b>	95x116x163

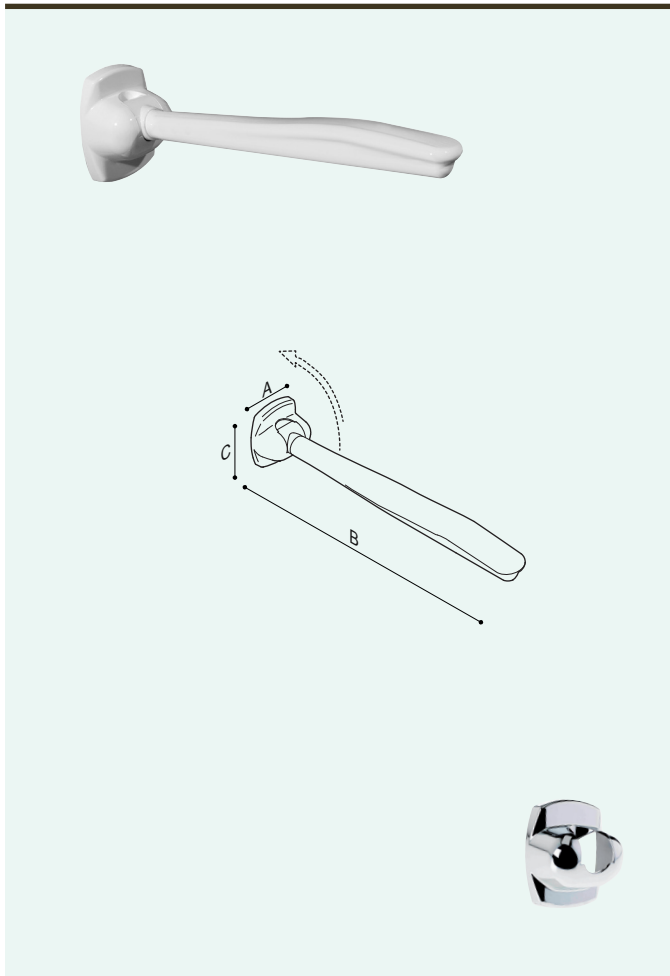


### Foot Rest

The foot rest is designed to assist in washing feet. The foot rests are made of 18/8 (304) Stainless Steel with rolled edges.

There are no fixing screws provided with these rests.

Code	Dimensions [AxBxC] mm.
<b>F47AOS03</b>	168x150x35

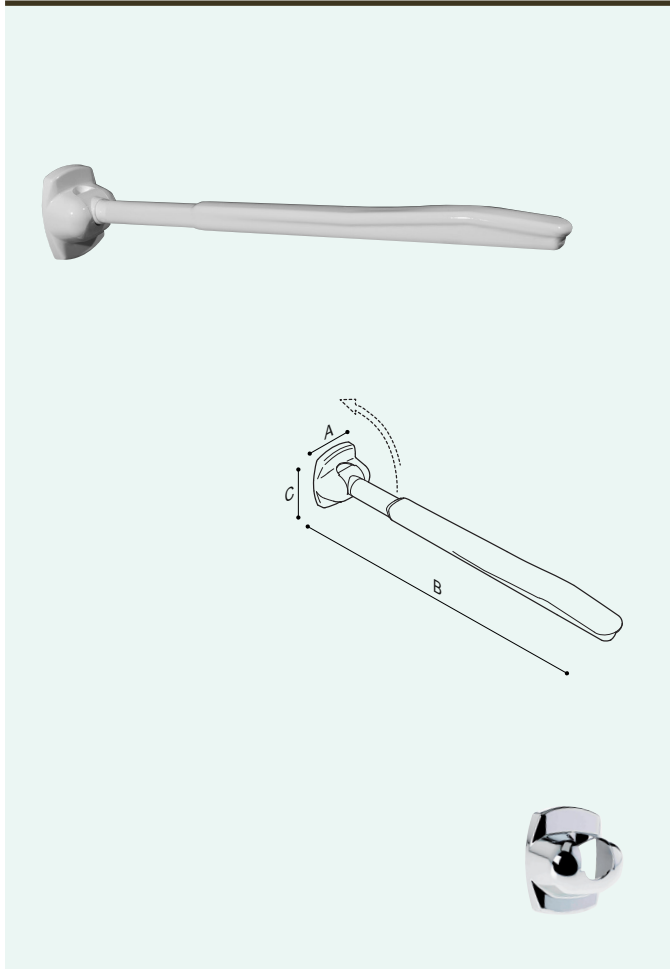


### Designer range of folding grab rails

These ergonomic design folding rails are an important feature for persons requiring some support in either the shower or toilet and are produced in three sizes. Manufactured from warm to touch PE-LD material and strengthened with a steel tube running through the core. The fixing plate is made from stainless steel and has a special plastic gasket which prevents damage to the wall or tiles. Inside the bracket there is a safety system which prevents the rail from crashing down but controls the speed of the lowering. Weight bearing to 100 kg. The arm only comes in white but the bracket covers can be coloured to match décor. There are no fixing screws provided with these rails.

Code	Dimensions [AxBxC] mm.
<b>G27JCS81xx</b>	110x450x130

Code	<b>Y87JIS61C1</b>
------	-------------------



### Designer range of folding grab rails

These ergonomic design folding rails are an important feature for persons requiring some support in either the shower or toilet and are produced in three sizes. Manufactured from warm to touch PE-LD material and strengthened with a steel tube running through the core. The fixing plate is made from stainless steel and has a special plastic gasket which prevents damage to the wall or tiles. Inside the bracket there is a safety system which prevents the rail from crashing down but controls the speed of the lowering. Weight bearing to 100 kg. The arm only comes in white but the bracket covers can be coloured to match décor. There are no fixing screws provided with these rails.

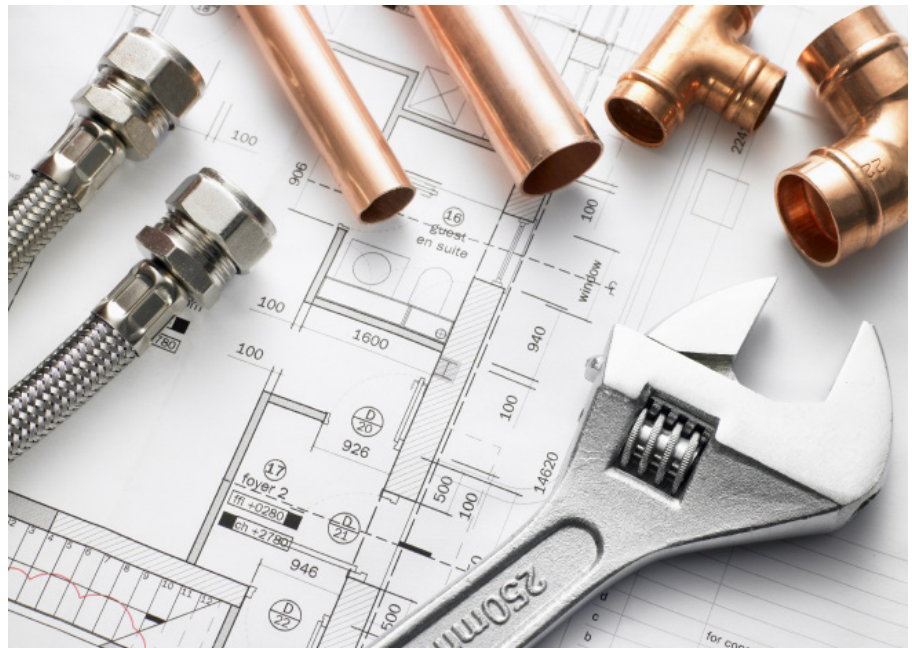
Code	Dimensions [AxBxC] mm.
<b>G27JCS82xx</b>	110x600x130
<b>G27JCS83xx</b>	110x750x130

Code	<b>Y87JIS61C1</b>
------	-------------------

## Doc-M packages

*Designed for the smaller business.*

*The DDA act, or now known as the Equalities act, and the BS standards regarding accessible toilets and shower rooms. Generally disabled Doc M packages are produced for compliance and have a cold feeling when being used. Small businesses, offices and industrial units must provide these facilities but are sometimes reluctant to because of the clinical choice of solutions. Ponte Giulio have used a collection of rails from the Prestigio range to brighten up the toilet area and make it more welcoming for all users.*







### Shower area kit

Some business will require a stylish showering area. Suitable for doctor's surgeries, clinics, health centres, and sports clinics.

If you're looking for something warm, safe and functional a shower rail package from our Prestigio range will do just that.

We supply all the rails in five different colours.

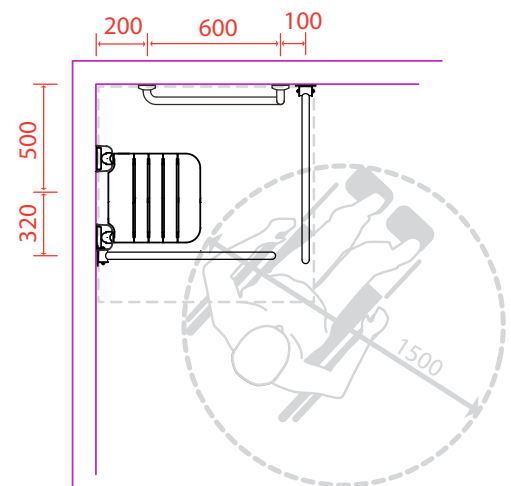
### Kit list

Kit code **WVVTDS04**

Code	Description	Q.ty
G18UAS14xx	Straight rail	1
G18UOS01xx	Vertical rail	1
G27JDS44xx	Folding seat with legs	1
G18UCS03xx	Folding rail	2

The picture shows a layout of a smaller shower room which has limited space and does not conform to the act.

Recommendations	BS 8300:2009 + A1:2010
<b>Shower</b>	
Wheelchair turning space	1500 x 1500 mm.
Floor surface	Should be slip-resistant
Foldable shower seat	Seat height 480 mm., centre of seat to wall 500 mm.; Projection 650 mm., backrest at 200 mm. distance from the back wall
Adjustable Support Arm	Mounting height 680 mm. above floor, on side and far wall. Adjustable Support Arm provided on the side wall at a distance of 320 mm. from the centre line of the seat. Adjustable Support Arm provided on the far wall at a distance of 900 mm. from the back wall.
Horizontal grab rail	Mounting height 680 mm. above floor, length 600mm.. Distance 200 mm. from the back wall
Vertical grab rail	Length 600 mm. minimum, height 800 mm. above floor level
Shower Hand Set Holder	Mounted on a vertical rod, adjustable between 1050 to 1850 mm.. Distance 500 mm. to the back wall
Shower controls	Height range 750 to 1000 mm. above the floor, water temperature not exceeding 43° Celsius
Accessories	Soap tray, towel rail
Shower curtain	Operated from the shower seat, should enclose the seat and rails. Dimensions 1000 - 1200 mm.
Hooks	Located at height of 1050 and 1400 mm.





### WC area kit

Ideal for Car showrooms, restaurants, offices, shops, tea rooms and much more

A collection of the stylish Prestigio coloured rails will help create a safe and good looking toilet environment which can be used by everyone.

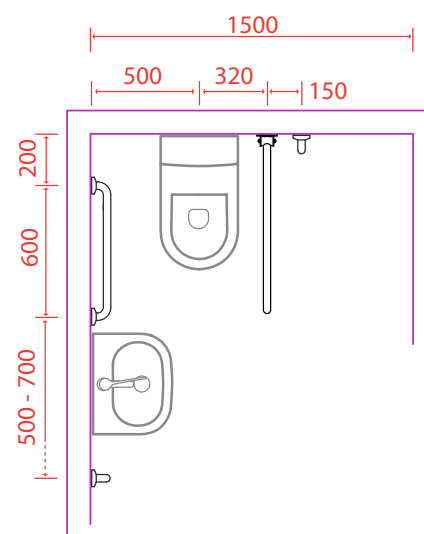
### Kit list

Kit code **WVVTCS14**

Code	Description	Q.ty
G18UAS14xx	Straight rail	5
F41JKS01	Mirror wall assembling kit	1
G29JDS28xx	Back rest	1
G18UCS03xx	Folding rail	2

The picture shows a layout of a smaller shower room which has limited space and does not conform to the act.

Recommendations	BS 8300:2009 + A1:2010
<b>Toilet</b>	
Mounting height	Top surface of WC seat 480 mm, WC pan can accept a variable height toilet seat riser
Depth of toilet	750 mm.
Distance to the wall	Centre of WC to wall 500 mm.
Adjustable Support Arm	Adjustable Support Arm provided on the wall side at a distance of 320 mm. from the centre line of WC. Height 680 mm. above floor. Should extend 50-100 mm. beyond the from of the WC. Horizontal support rail on the wall adjacent to the WC 600 mm.
Horizontal grab rail	Mounting height 680 mm. above floor, length 600mm.. Distance 200-250 mm. from the back wall, clearance 50-60 mm. between the rail and the wall
Vertical grab rail	Length 600 mm., 470 mm. from the WC centre line. Centre line 1100 mm. above floor level
Toilet Roll Holder	Should be suitable for single hand use. Should be easily accessible from a wheelchair, seated on the WC or for a standing person
Shelf	Where a high or low level cistern is used, a shelf 125 - 150 mm deep, preferably 400 mm. wide should be provided preferably to the WC pan, top of surface 950 mm.





PA Cherry



W2 Warm White



T6 Sand



N2 Bright finish



D8 Oxide Grey



## Tecnoservice collection

*These rails have been developed to complement the ranges of the Prestigio rails by manufacturing them with a rounded bracket design which some people prefer.*

*Manufactured from stainless steel tube and ABS chrome plated brackets they complement any bathroom. Colours are the same as the Prestigio range.*

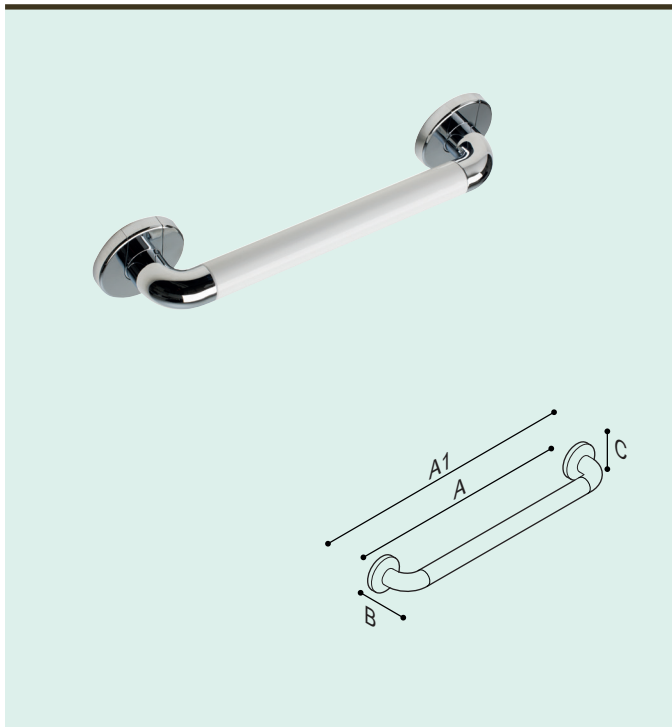
*The narrow distance between the rail and the wall only enables a hand to grip around the rail and not pass through the gap and risk injury to the wrist or arm.*

*To complement the range of rails we have developed a range of stylish seating for extra comfort and safety in the shower area. Please make sure that the wall structure is capable of accepting raw plugs before you start.*

*A special safety shower area kit has been added to the collection enabling the customer or tradesman to upgrade a shower area for someone requiring assistance in showering.*







### Straight grab rail

These rails are made from stainless steel and have rounded chromed ABS brackets which have screw concealment covers. The narrow gap between wall and rail prevents hands from slipping between the wall and can help prevent injury. The rails come in a selective range of colors (Warm White "W2", Sand "T6", Cherry "PA", Oxyde Grey "D8" and Bright finish "N2") to complement the shower room.

Stainless steel screws are included with the rails. Please make sure the wall is suitable for screws.

Code	Dimensions [AxBxC] mm.	[A] mm.
<b>4CAJAS20xx</b>	375x70x80	305
<b>4CAJAS21xx</b>	486x70x80	406
<b>4CAJAS22xx</b>	537x70x80	457
<b>4CAJAS23xx</b>	690x70x80	610
<b>4CAJAS24xx</b>	994x70x80	914

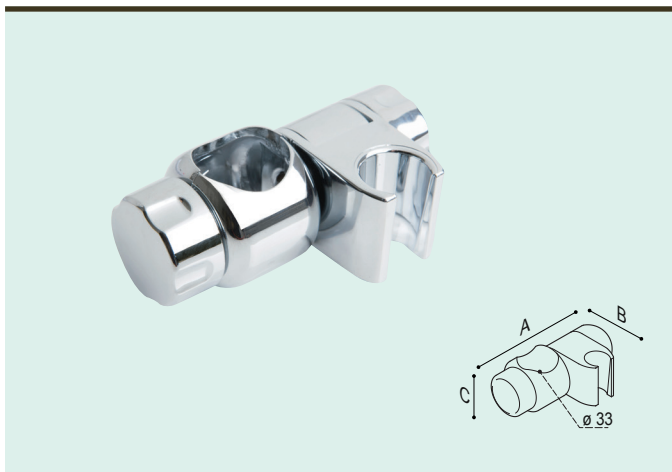


### Vertical grab/slider rail with showerhead holder

These rails are made from stainless steel and have rounded chromed ABS brackets which have screw concealment covers and benefit those who use a shower seat as well as stand. The narrow gap between wall and rail prevents hands from slipping between the wall and can help prevent injury. Ideal for replacement of plastic slider rails. All rail come complete with the showerhead holder. (Code 3EAAVS01C1)

The rails come in a selective range of colors (Warm White "W2", Sand "T6", Cherry "PA", Oxyde Grey "D8" and Bright finish "N2") to complement the shower room. Stainless steel screws are included with the rails. Please make sure the wall is suitable for screws. Stable on height, is expandable and fit for shower bar and handrails, easy upper and lower stepless adjustment. Available in Chrome "C1" finish only.

Code	Dimensions [AxBxC] mm.	[C] mm.
<b>4CAJOS01xx</b>	80x90x994	914



### Hand showerhead holder

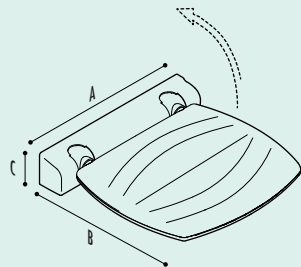
The showerhead holder is a universal fit for all Ponte Giulio grab rails and is easy to fit and use. Available in Chrome "C1" finish only.

Code	Dimensions [AxBxC] mm.
<b>3EAAVS01C1</b>	115x65x40



### Folding Shower Seat

Designed not only to look stylish but practical as well. It's manufactured from ABS plastic and structurally re-enforced with steel tubing to give it strength and rigidity. Internal friction plates operate the seats lowering and raising safely preventing crashing down. The design uses very little space when in the up position. Easy to install and maintain. Available in White "W1" finish only. The seat does not come with fixing screw.

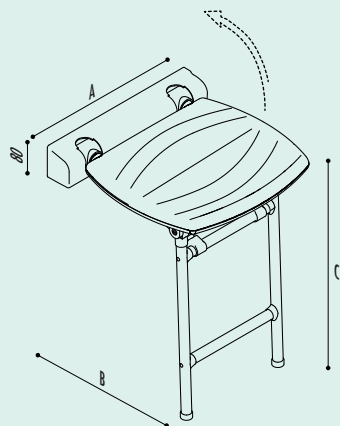


Code	Dimensions [AxBxC] mm.
4FAUHS01	400x420x80



### Folding Shower Seat with support legs

Designed not only to look stylish but practical as well but with added support. It's manufactured from ABS plastic and structurally re-enforced with steel tubing to give it strength and rigidity. Internal friction plates operate the seats lowering and raising of the legs safely and preventing crashing down on your feet. The design uses very little space when in the up position. The support legs have 25mm adjustment for shower trays or floors. Easy to install and maintain. Available in White "W1" finish only. The seat does not come with fixing screw.



Code	Dimensions [AxBxC] mm.
4FAUHS02	400x420x500



### Shower area upgrade kit seat without support legs

This kit comprises of a shower seat without legs and a vertical grab rail/slider rail to replace existing plastic slider rails and a horizontal grab rail. These kits are available in a choice of colours. Please as always make sure that the wall structure is capable of fixing the seat to.

#### Kit list

Kit code **4VVTD511**

Code	Description	Q.ty
4BAJAS21	Straight rail	1
4BAJAS23	Straight rail	1
3EAAVS01C1	Chromed shower head holder	1
4FAUHS01	Folding seat	1



### Shower area upgrade kit seat with support legs

This kit comprises of a shower seat with legs for the slightly heavier person and a vertical grab rail/slider rail to replace existing plastic slider rails and a horizontal grab rail. The seat legs require a two handed operation to lower it as a safety precaution of the legs free falling onto a person's feet, the legs on the shower have a 25mm adjustment. These kits are available in a choice of colours. Please as always make sure that the wall structure is capable of fixing the seat to.

#### Kit list

Kit code **4VVTD513**

Code	Description	Q.ty
4BAJAS21	Straight rail	1
4BAJAS23	Straight rail	1
3EAAVS01C1	Chromed shower head holder	1
4FAUHS02	Folding seat with legs	1





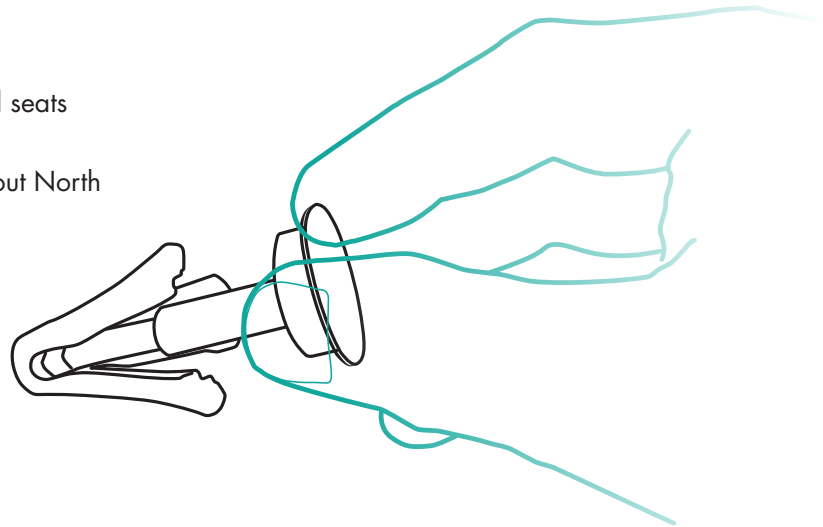


# Wingits®

## The worlds strongest stud wall fixing system

### Features

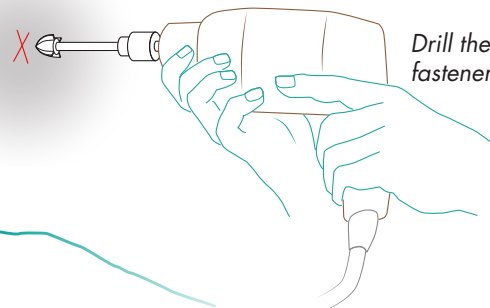
- Eliminates the need to reinforce stud walls
- Never loosens
- Waterproof and fire resistant
- Unequaled strength
- Used to install Ponte Giulio grab rails and seats
- Been in use for over 15 years
- Used by every major hotel chain throughout North America



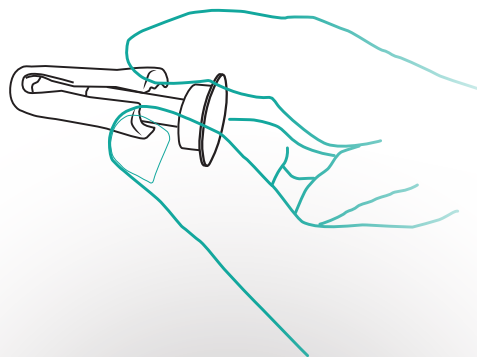
### Speedy installation



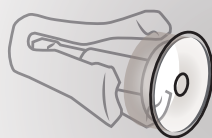
Installed in seconds and is stronger than the plaster wall.



Drill the wall for the installation of the fastener.



Pinch wings and pop through hole and then place screw through item to be fixed and screw into the Wingit tightly



You can use "Wingits®" fasteners to fix almost everything!

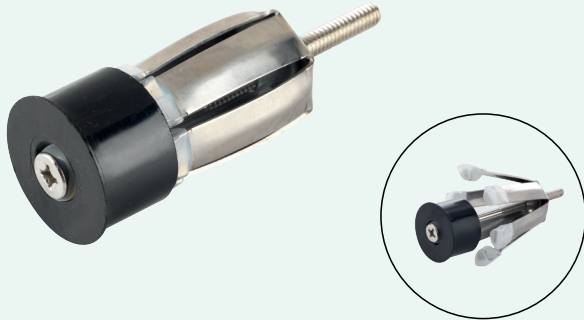
- Mirrors
- Grab Rails
- Frames
- etc.



### Standard stud wall fixing

The Y96SES65 has thousands of uses for easy installation of bath accessories. Uses 8-32 x 3 1/2" Stainless Steel screws. Eliminates the need for structural blocking, NEVER loosens and rated up to 136 kilograms. A hole of 19 mm diameter (3/4") is required for installation. Designed for 50 x 76 (2" x 3") or larger hollow walls and wall substrates from 6 - 19 mm. (1/4" - 1.3") thick.

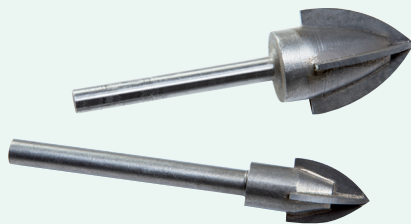
Code	Overall Dimensions (mm)
<b>Y96SES65</b>	40x90x40



### Structural stainless steel fixing

The Y96SES68 fit for the installation of handles. The body and screws are made of stainless steel 18/8. Eliminates the need for structural blocking, NEVER loosens and rated up to 360 kilograms. A hole of 31 mm diameter (1,25") is required for installation. Designed for 50 x 110 (2" x 4") or larger hollow walls and wall substrates from 38 - 63 mm. (1,50" - 2,5") thick.

Code	Overall Dimensions (mm)
<b>Y96SES68</b>	35x100x35



### Drills for ceramic tiles

The APACHE200™ precision cutting tool drills fast and clean holes in wall tile and wallboard making installation of WINGITS®, quick and easy to install. These carbide drill bits are rated 200 holes through ceramic wall tile and can also be used for marble, glass, steel, plaster and lathe. The drills are available in two dimension, 19 and 32 millimetres diameter. The drills do not require a pilot hole, never drifts during start-up or needs to be emptied after each use; place on your mark and pull the trigger.

Code	Ø (mm)
<b>Y96SFS01</b>	19
<b>Y96SFS02</b>	22

## General information

### Alphabetical Index

Code	Page	Code	Page	Code	Page
B46CMM16	37	G18JAS07xx	10	G18UBL35	24
B46CMM17	37	G18JCS12	14	G18UBL35xx	24
B46CMM18	37	G18JCS14	14	G18UBR34	23
B46CNM05C1	38	G18JRS02	30	G18UBR34xx	23
B46CNM05D8	38	G18JRS02xx	30	G18UBR35	24
B46CNM05W2	38	G18JRS03	30	G18UBR35xx	24
B46CNM06	38	G18JRS03xx	30	G18UBS31	25
B46CPM75	36	G18JRS05	30	G18UBS31xx	25
B46CPM76	36	G18JRS05xx	30	G18UCS03	18
B46CPM77	36	G18JRS08	30	G18UCS04	18
F18AGL01xx	13	G18JRS08xx	30	G18UES30	26
F18AGL02xx	13	G18JRS12	29	G18UES30xx	26
F18AGR01xx	13	G18JRS12xx	29	G18UOS01xx	17
F18AGR02xx	13	G18JRS13	29	G18UOS31	28
F18AHS01	14	G18JRS13xx	29	G18UOS31xx	28
F18AKL02xx	11	G18JTS11	30	G18UWS31	27
F18AKR02xx	11	G18UAS11xx	17	G18UWS31xx	27
F18AKS01xx	11	G18UAS12xx	17	G27JCS81xx	43
F18ALS01	12	G18UAS13xx	17	G27JCS82xx	43
F18ANM04	12	G18UAS14xx	17	G27JCS83xx	43
F18ANM05	12	G18UAS16xx	17	G27JDS30xx	33
F18ANS02xx	10	G18UAS32	22	G27JDS43xx	32
F18ANS03xx	11	G18UAS32xx	22	G27JDS44xx	32
F41ANS05	42	G18UAS33	22	H52HAM14	37/38
F41JKS01	40	G18UAS33xx	22	H52HAM16	37/38
F47JPS01	41	G18UAS34	22	S87SBD02C1	32
G18JAS01C1	10	G18UAS34xx	22	Y91ASS02	41
G18JAS01xx	10	G18UAS35	22	Y96SES56	49
G18JAS02C1	10	G18UAS35xx	22	Y96SES58	49
G18JAS02xx	10	G18UAS37	22	Y96SES61	49
G18JAS04C1	10	G18UAS37xx	22	Y96SES68	49
G18JAS04xx	10	G18UBL34	23		
G18JAS07C1	10	G18UBL34xx	23		